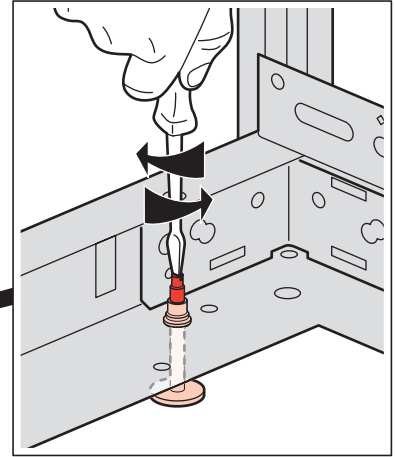
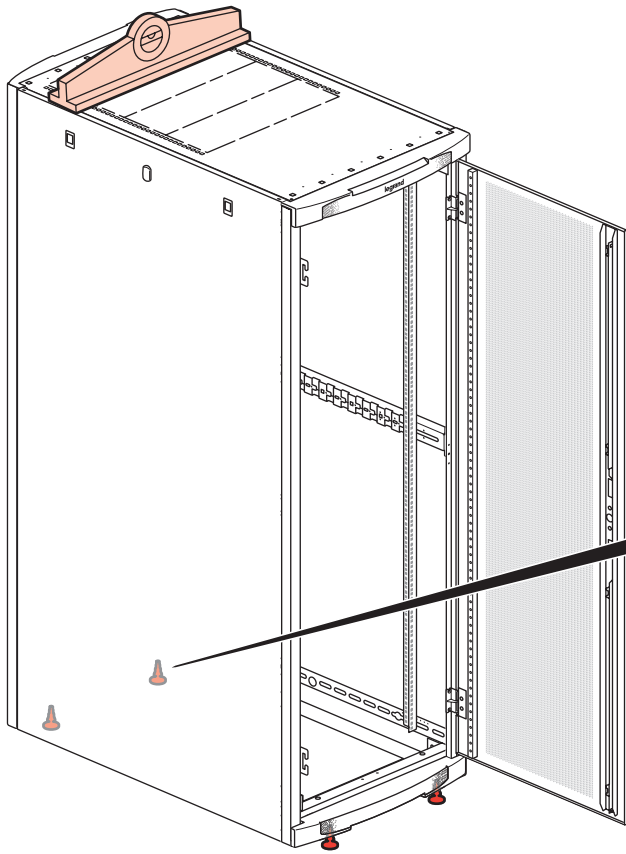
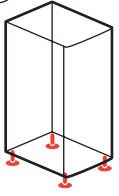
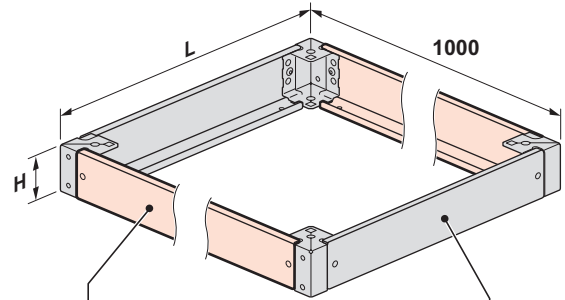
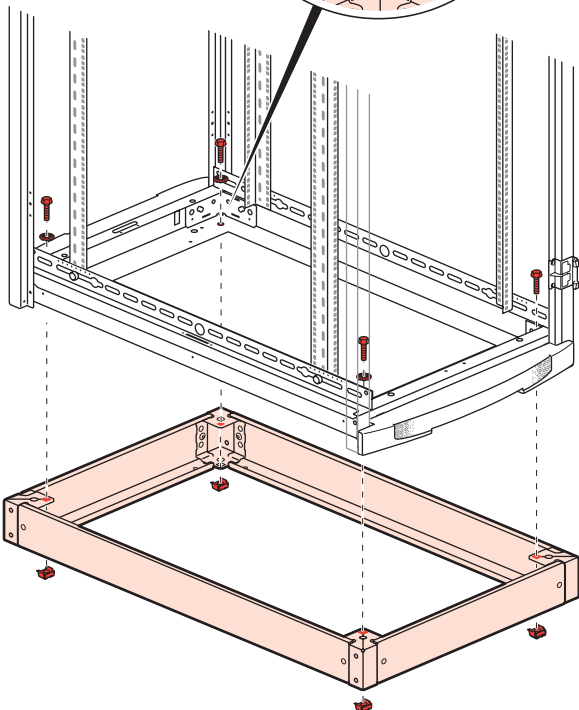
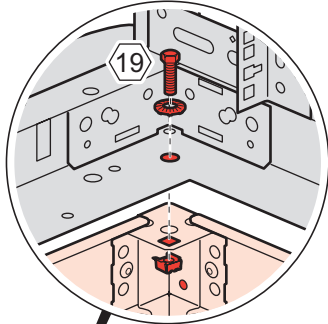
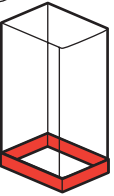


E

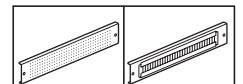
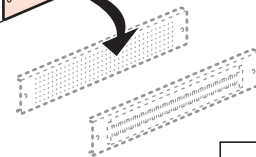
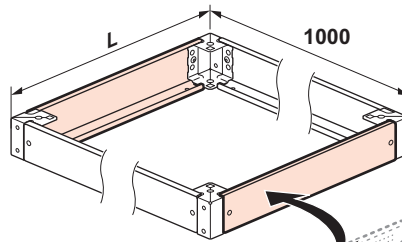


F



H = 100	464 58
H = 200	2 x 464 58

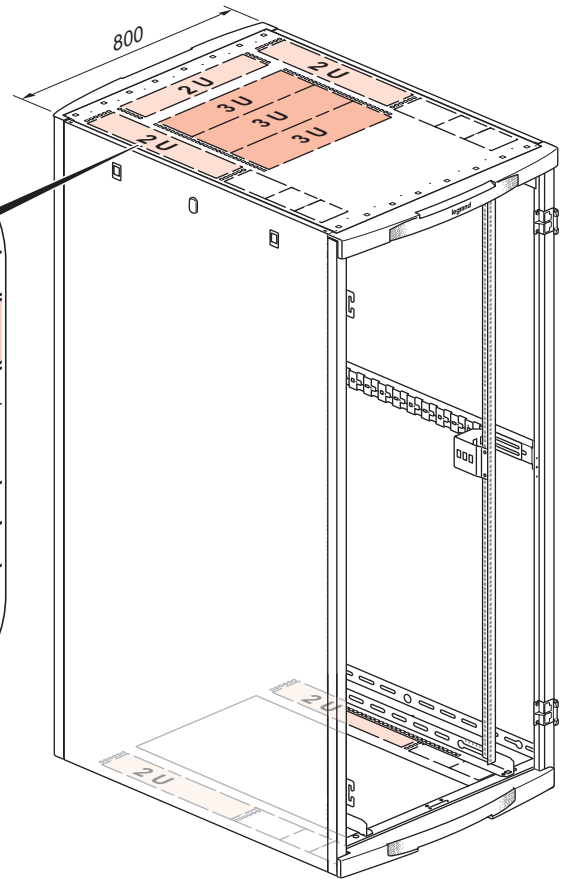
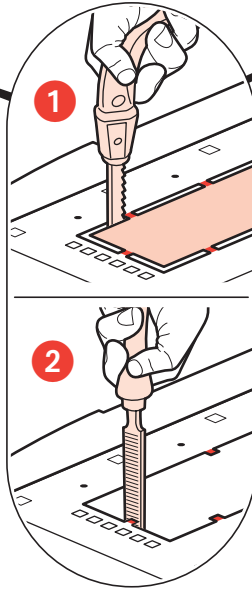
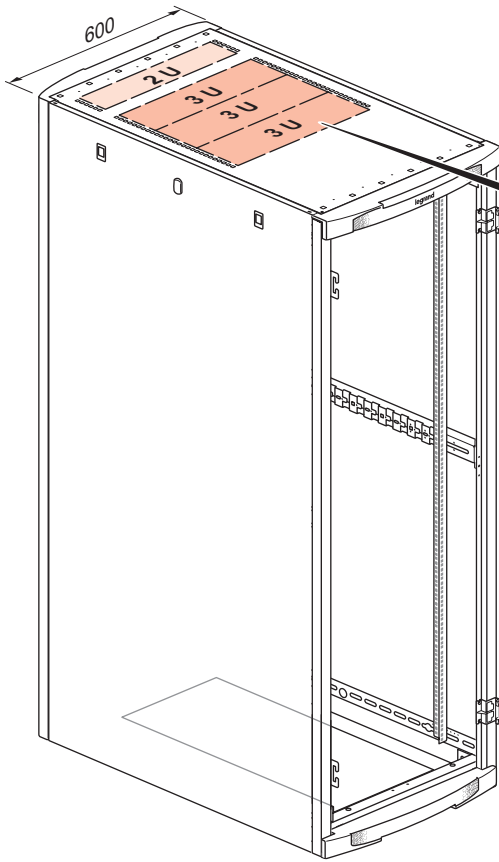
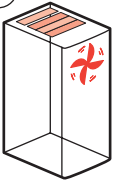
H = 100	L = 600	464 50
	L = 800	464 51
H = 200	L = 600	464 52
	L = 800	464 53



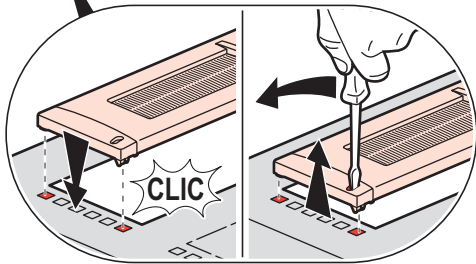
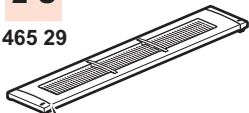
L = 600	464 60	464 62
L = 800	464 61	464 63

LE03159AB

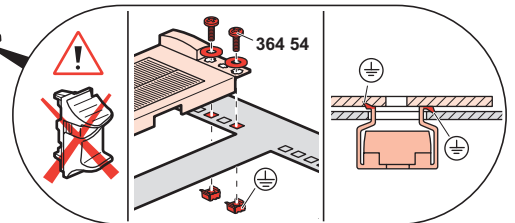
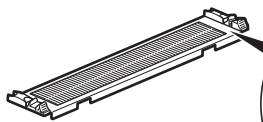
G



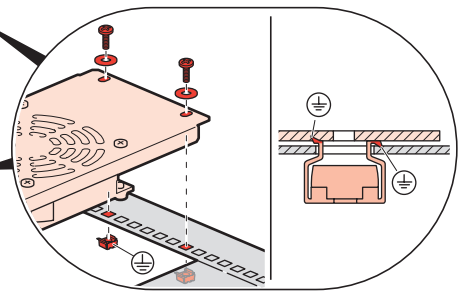
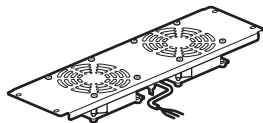
2 U
465 29



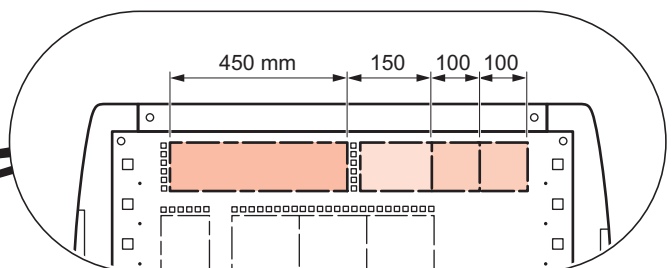
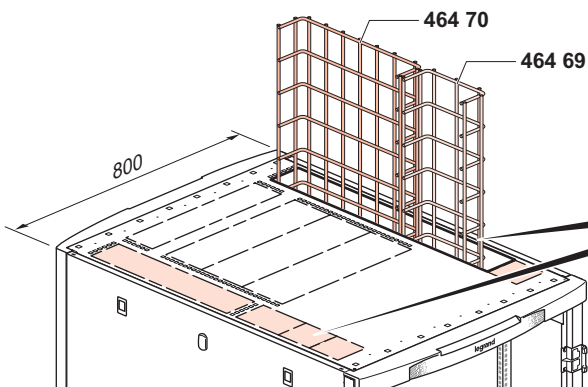
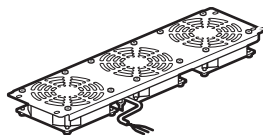
2 U
465 31

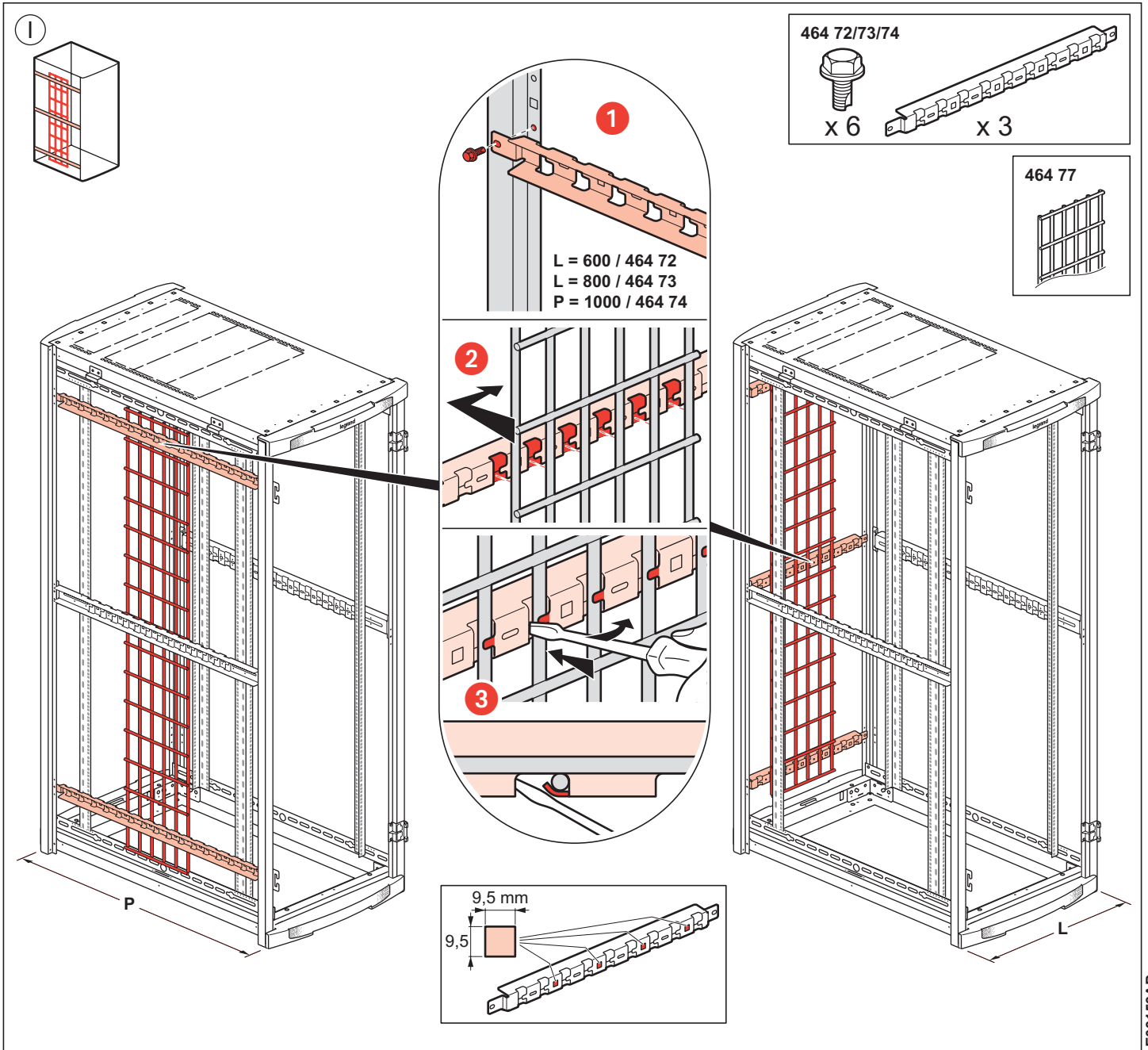
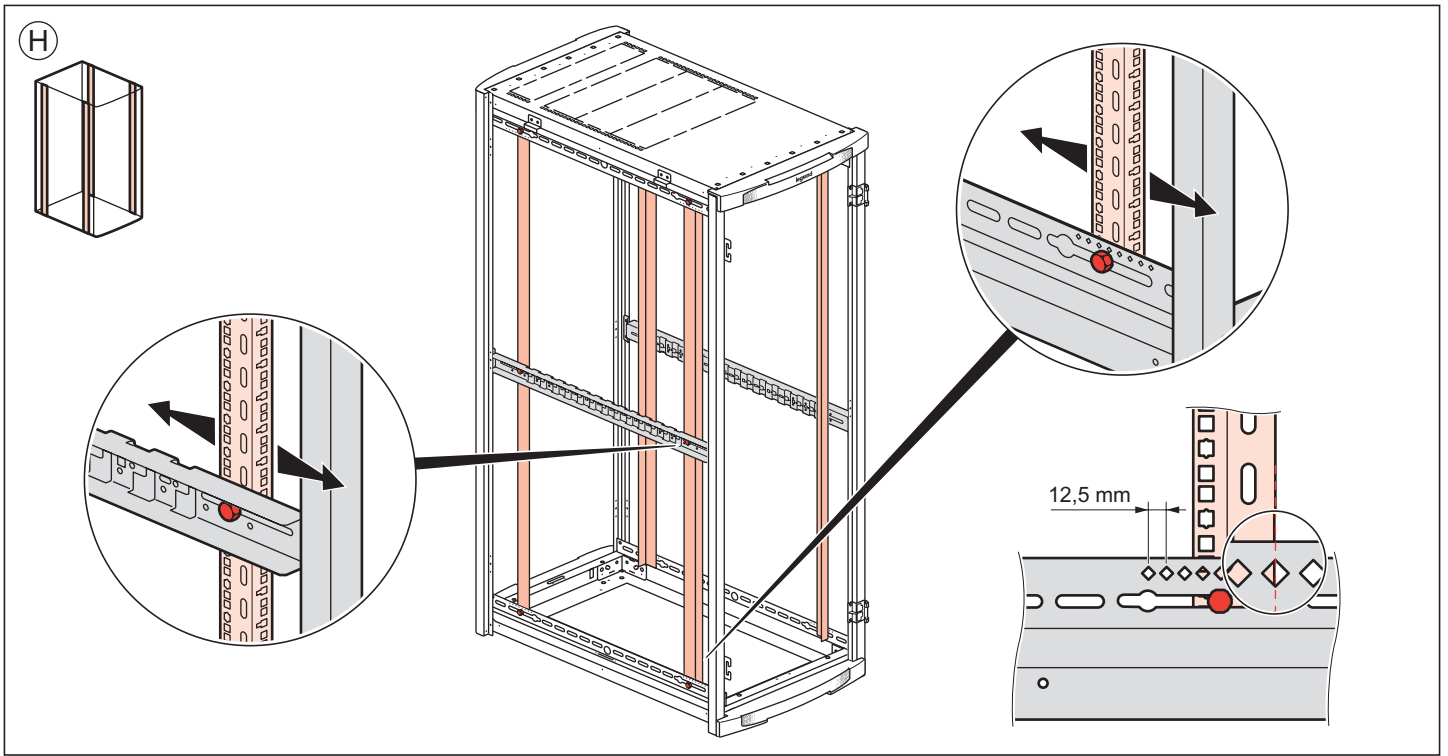


3 U
464 87

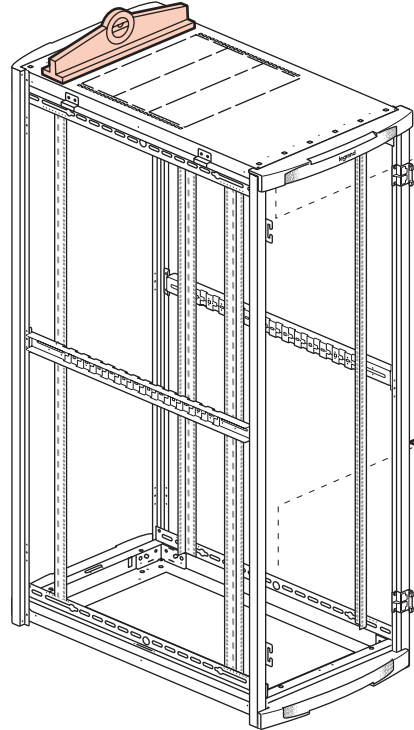
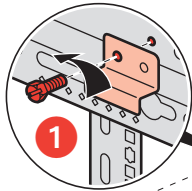
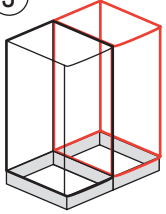


3 U
464 88

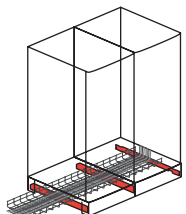
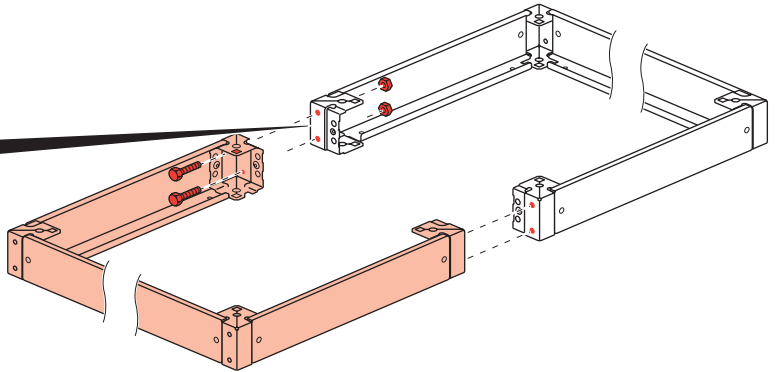
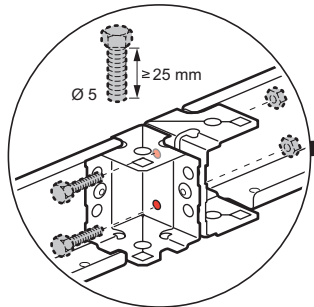
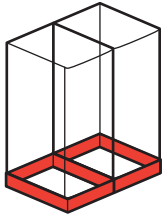
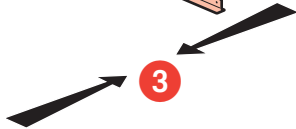
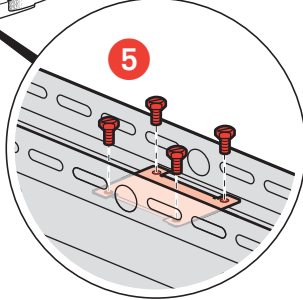
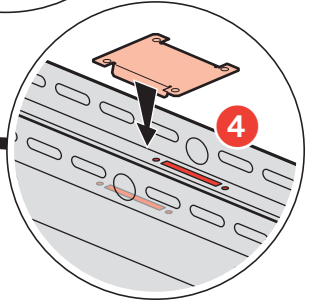
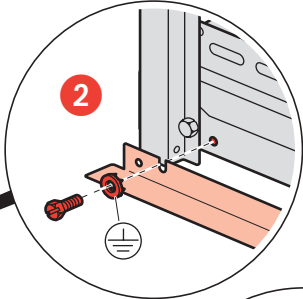
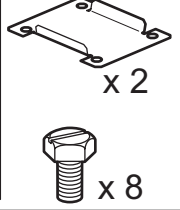
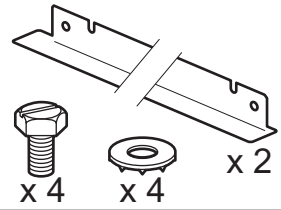




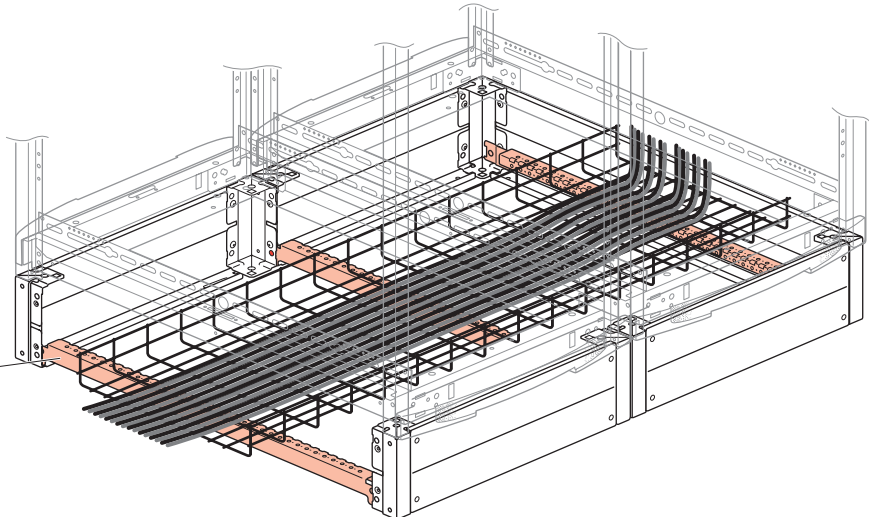
J



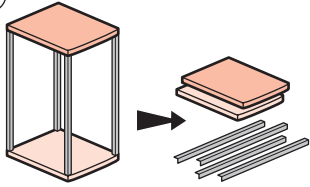
463 39



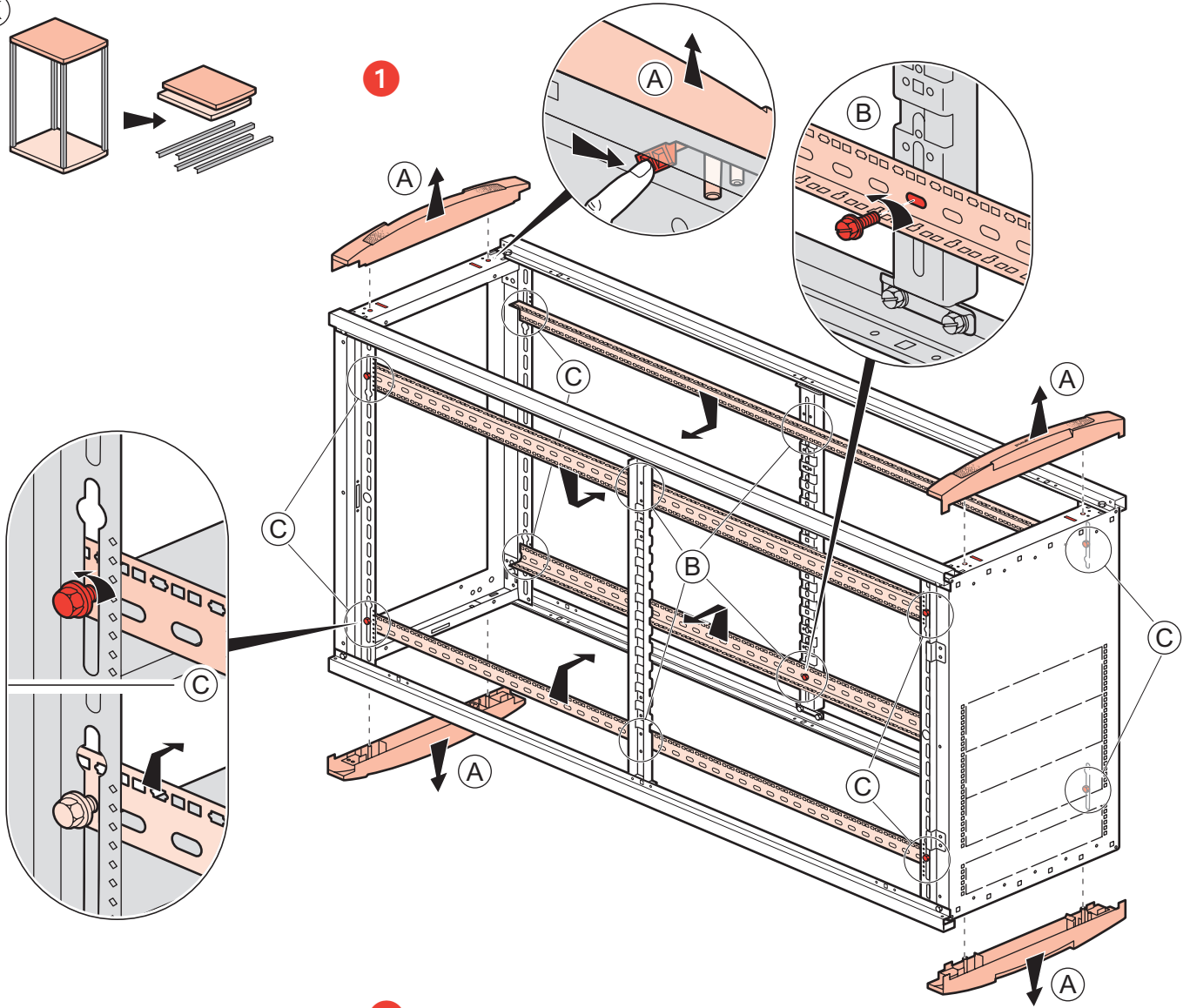
476 95



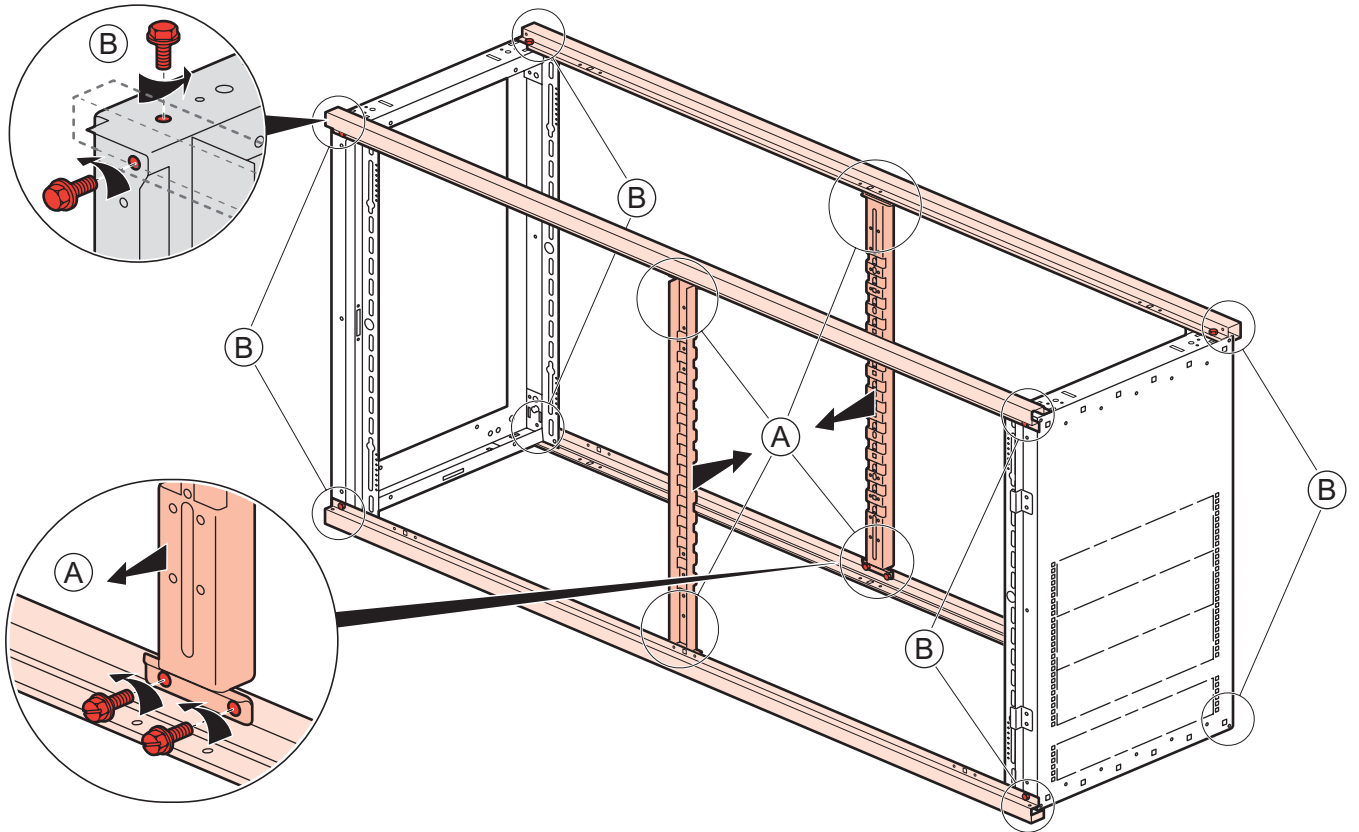
K



1



2



LE03159AB