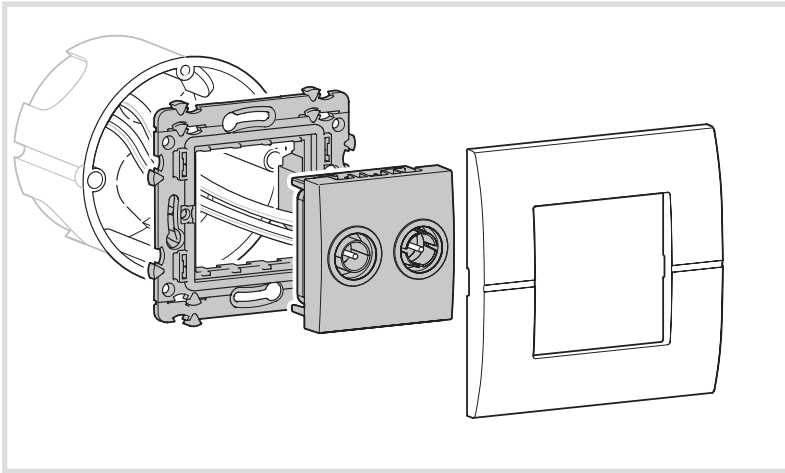


- FR
- EN
- DE
- ES
- PT
- EL

6W 5206.f

WS250... WS259 syssto

Montage / Assembly / Montage / Montaje / Montagem / Τοποθέτηση



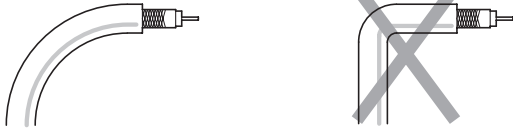
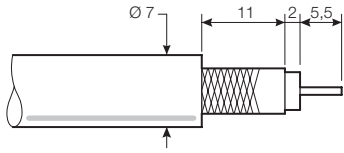
TV TV +FM			
	WS250	WSK251	WS252
	WS253x	WS254	WS255

Caractéristiques techniques (FR)	Technical specifications (EN)	Technische Daten (DE)
<ul style="list-style-type: none"> Impédance : 75 Ω Raccordement : <ul style="list-style-type: none"> - TV : Mâle - FM: Femelle - SAT: Type "F" Normes : <ul style="list-style-type: none"> - NF EN 50083 - UTE 90123 - UTE 90125 	<ul style="list-style-type: none"> Impedance : 75 Ω Raccordement : <ul style="list-style-type: none"> - TV : Male - FM: Female - SAT: Type "F" Standards : <ul style="list-style-type: none"> - NF EN 50083 - UTE 90123 - UTE 90125 	<ul style="list-style-type: none"> Impedanz : 75 Ω Raccordement : <ul style="list-style-type: none"> - TV : Stecker - FM: Buchse - SAT: Type "F" Normen : <ul style="list-style-type: none"> - NF EN 50083 - UTE 90123 - UTE 90125
Especificaciones técnicas (ES)	Características técnicas (PT)	Τεχνικά αρακτηριστικά (EL)
<ul style="list-style-type: none"> Impedancia : 75 Ω Raccordement : <ul style="list-style-type: none"> - TV : Maschio - FM: Fêmea - SAT: Tipo "F" Normas : <ul style="list-style-type: none"> - NF EN 50083 - UTE 90123 - UTE 90125 	<ul style="list-style-type: none"> Impedância : 75 Ω Ligação : <ul style="list-style-type: none"> - TV : Macho - FM: Fêmea - SAT: Tipo "F" Normas : <ul style="list-style-type: none"> - NF EN 50083 - UTE 90123 - UTE 90125 	<ul style="list-style-type: none"> Αντίσταση : 75 Ω Υποδοή : <ul style="list-style-type: none"> - TV : Άρσενικ - FM: Θήλυκ - SAT: Τύπου "F" Πρό τυπα : <ul style="list-style-type: none"> - NF EN 50083 - UTE 90123 - UTE 90125

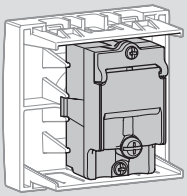
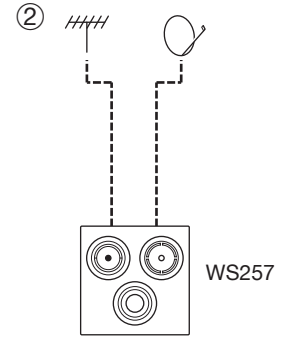
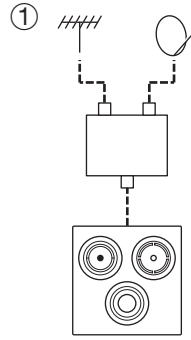
Montage / Assembly / Montage / Campos de aplicación / Campos de aplicação / Εφαρμογές

Ref.	Type.	dB	mA	DC	Back voice	Band 1	FM Band	VHF	UHF	SAT
					4-30 MHz	47-68 MHz	87,5-108 MHz	120-470 MHz	470-862 MHz	950-2400 MHz
	WS250	Prise directe / Direct socket / Enddose / Toma directa / Tomada directa / Απλή	< 1 dB	500 mA	TV					
	WS251	Prise passage / Throughpass socket / Durchgangsdose / Toma de paso / Tomada de passagem / Διελεύσεως	< 10 dB							
	WS252	Prise passage / Throughpass socket / Durchgangsdose / Toma de paso / Tomada de passagem / Διελεύσεως	< 15 dB							
	WS253	Prise directe / Direct socket / Enddose / Toma directa / Tomada directa / Απλή	< 1 dB	500 mA	TV	RADIO FM		TV		
	WS254	Prise passage / Throughpass socket / Durchgangsdose / Toma de paso / Tomada de passagem / Διελεύσεως	< 10 dB							
WS255	Prise passage / Throughpass socket / Durchgangsdose / Toma de paso / Tomada de passagem / Διελεύσεως	< 15 dB								
	WS256	Prise 1 entrée / Socket 1 input / Dose 1 Eingang / Toma 1 entrada / Tomada 1 entrada / 1 είσοδος		SAT 500 mA	TV	RADIO FM		TV		SAT
	WS257	Prise 2 entrées / Socket 2 inputs / Dose 2 Eingänge / Toma 2 entradas / Tomada 2 entradas / είσοδοι		SAT 500 mA						SAT
	WS259	Prise directe / Direct socket / Enddose / Toma directa / Tomada directa / Απλή	< 1 dB	500 mA						SAT

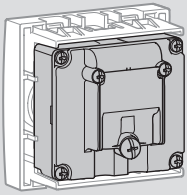
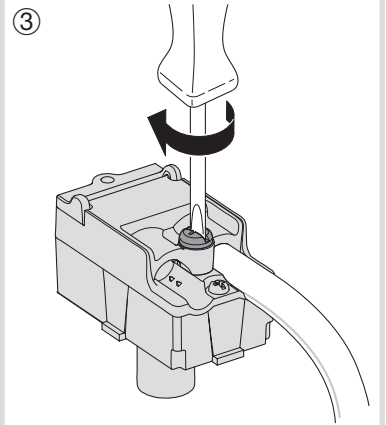
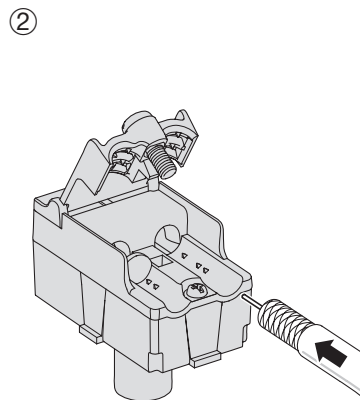
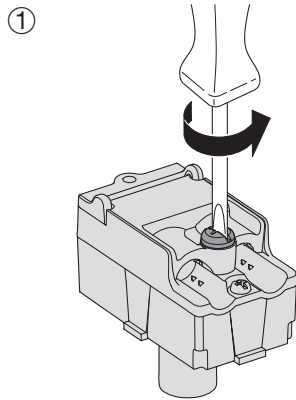
Coaxial / Coaxial / Koaxial / Coaxial / Coaxial / Ομοαξονικό



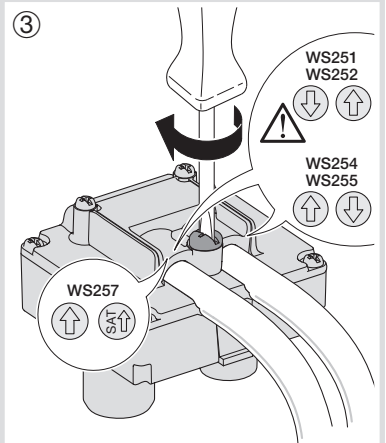
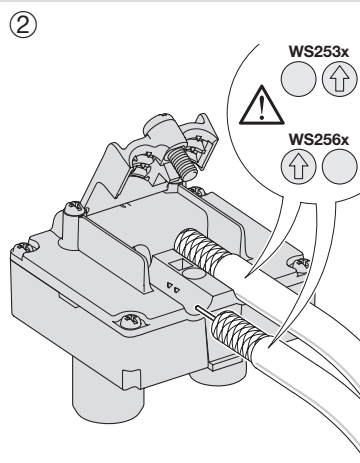
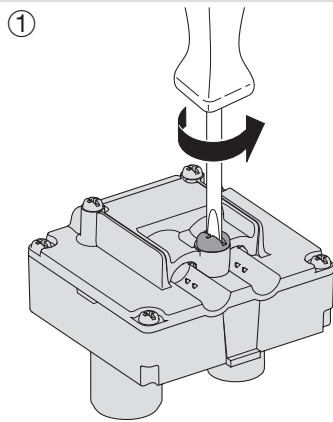
TV + FM +SAT



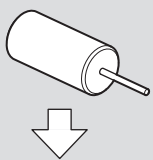
WS250, WS259



WS251, WS252, WS253
WS254, WS255, WS256
WS257



75 Ω



WS251, WS252
WS254, WS255

