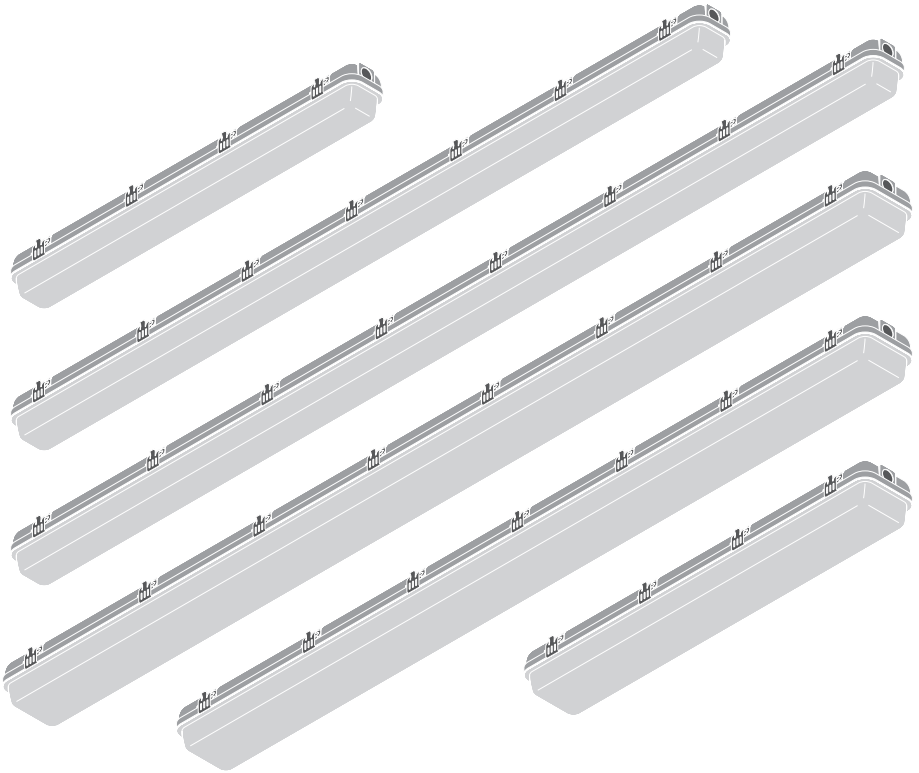
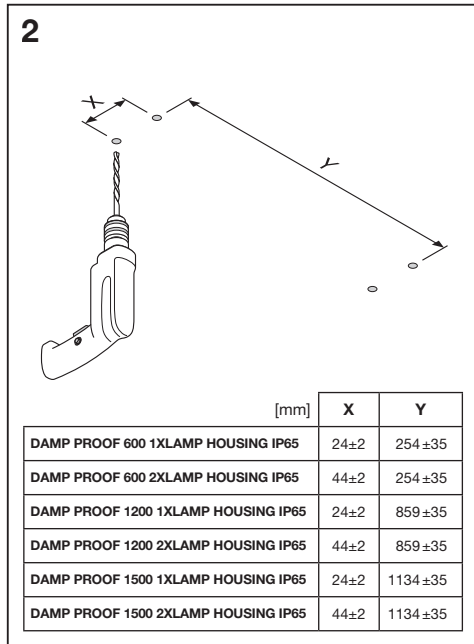
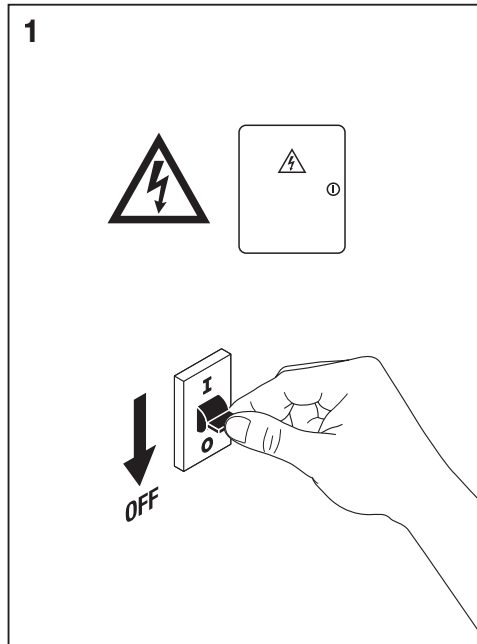
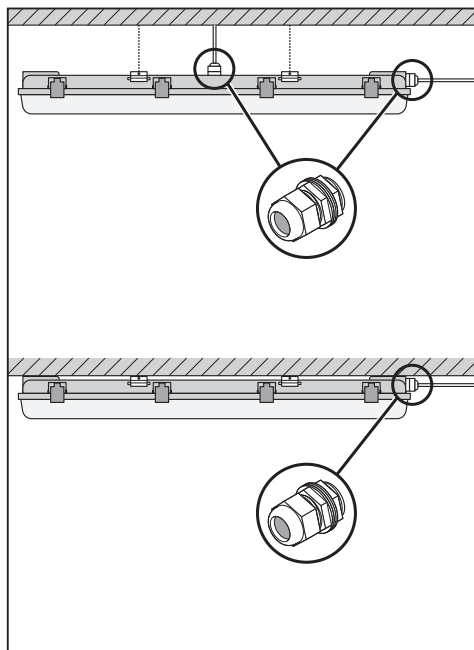
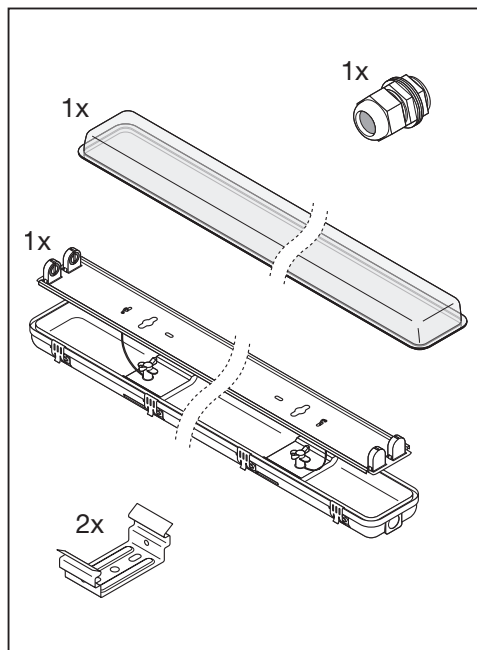
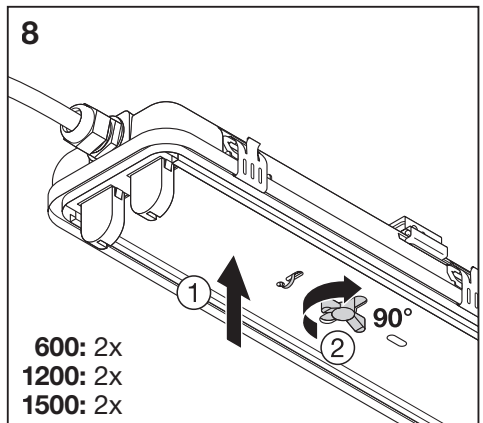
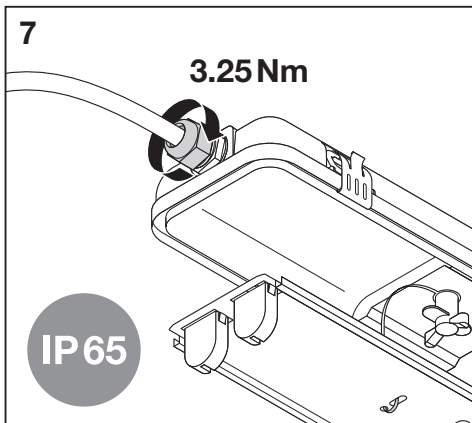
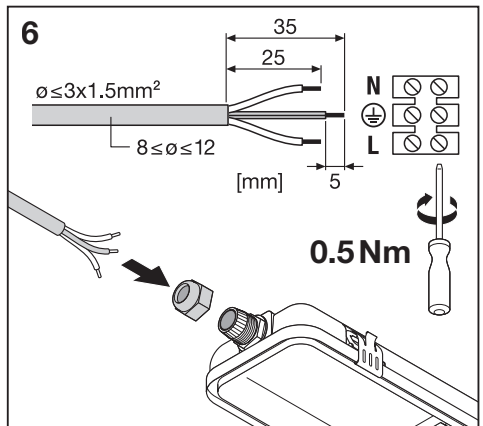
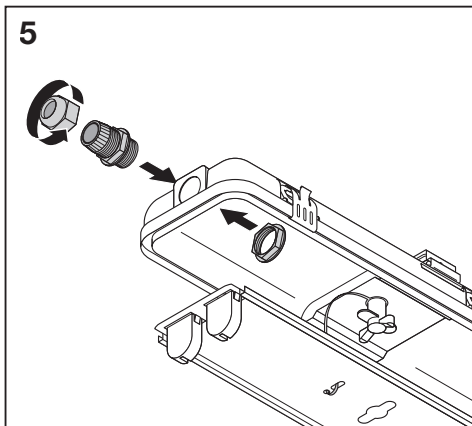
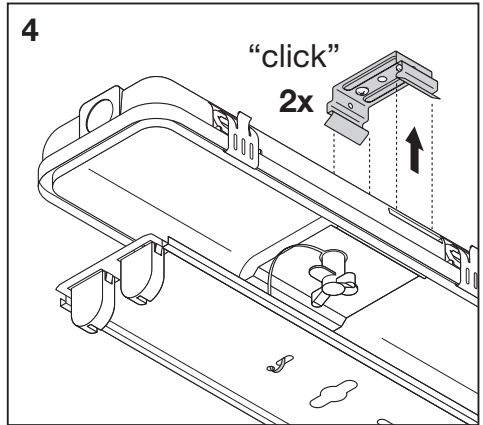
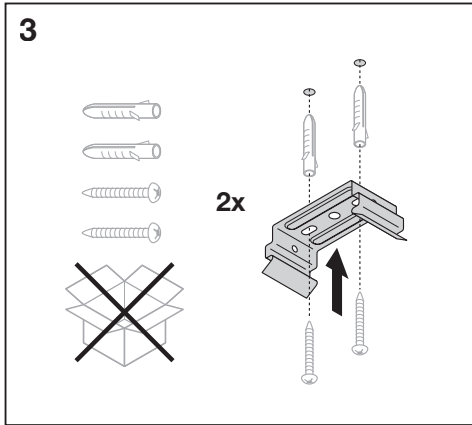

DAMPPROOF HOUSING



	EAN	l x w x h [mm]	IP	IK	°C	👤
DAMP PROOF 600 1XLAMP HOUSING IP65	4058075312395	651 x 64 x 75	65	08	-30...+40	0.60 kg
DAMP PROOF 600 2XLAMP HOUSING IP65	4058075312418	651 x 103 x 75	65	08	-30...+40	0.85 kg
DAMP PROOF 1200 1XLAMP HOUSING IP65	4058075312432	1261 x 64 x 75	65	08	-30...+40	1.00 kg
DAMP PROOF 1200 2XLAMP HOUSING IP65	4058075312456	1261 x 103 x 75	65	08	-30...+40	1.30 kg
DAMP PROOF 1500 1XLAMP HOUSING IP65	4058075312470	1561 x 64 x 75	65	08	-30...+40	1.30 kg
DAMP PROOF 1500 2XLAMP HOUSING IP65	4058075312494	1561 x 103 x 75	65	08	-30...+40	1.85 kg



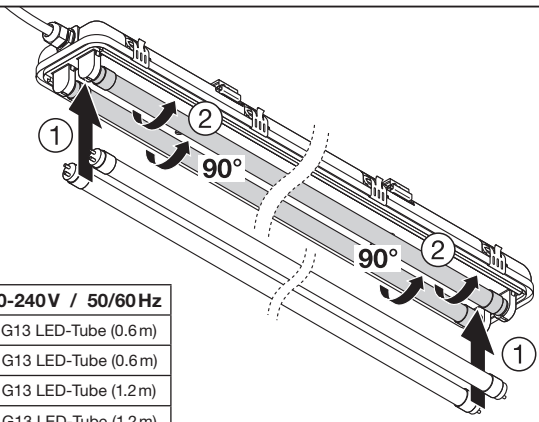


9

T8 FL (18W, 36W, 58W)



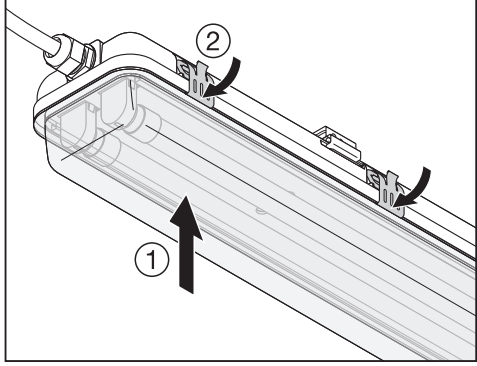
G13 LED



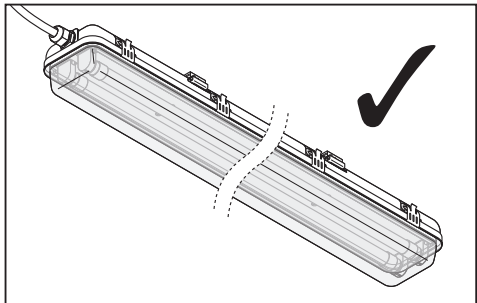
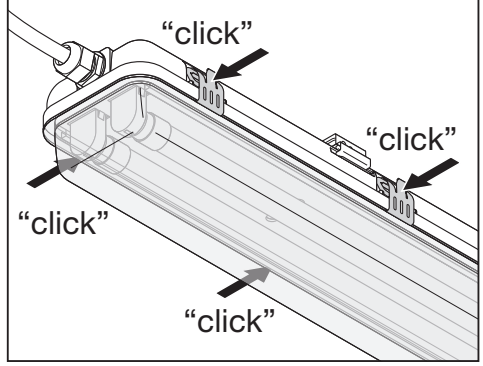
220-240V / 50/60 Hz

DAMP PROOF 600 1XLAMP HOUSING IP65	1x G13 LED-Tube (0.6 m)
DAMP PROOF 600 2XLAMP HOUSING IP65	2x G13 LED-Tube (0.6 m)
DAMP PROOF 1200 1XLAMP HOUSING IP65	1x G13 LED-Tube (1.2 m)
DAMP PROOF 1200 2XLAMP HOUSING IP65	2x G13 LED-Tube (1.2 m)
DAMP PROOF 1500 1XLAMP HOUSING IP65	1x G13 LED-Tube (1.5 m)
DAMP PROOF 1500 2XLAMP HOUSING IP65	2x G13 LED-Tube (1.5 m)

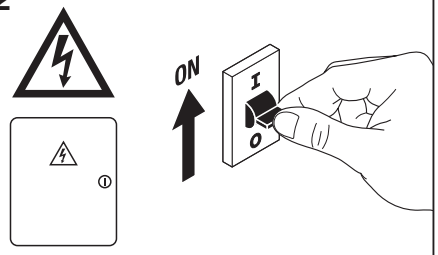
10



11



12



C10449057
G11087979
19.11.19

LEDVANCE GmbH
Steinerne Furt 62
86167 Augsburg, Germany
www.ledvance.com