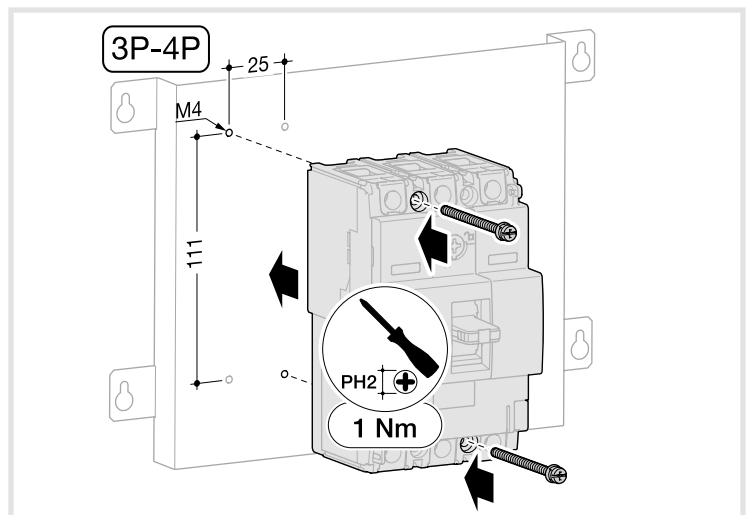
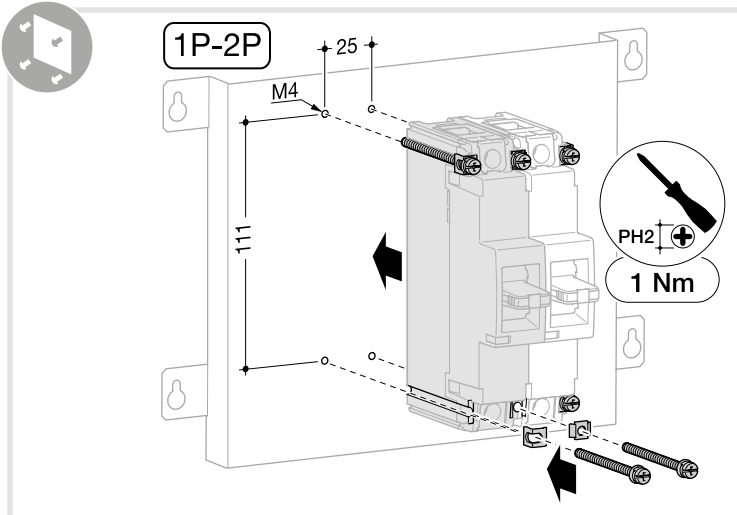
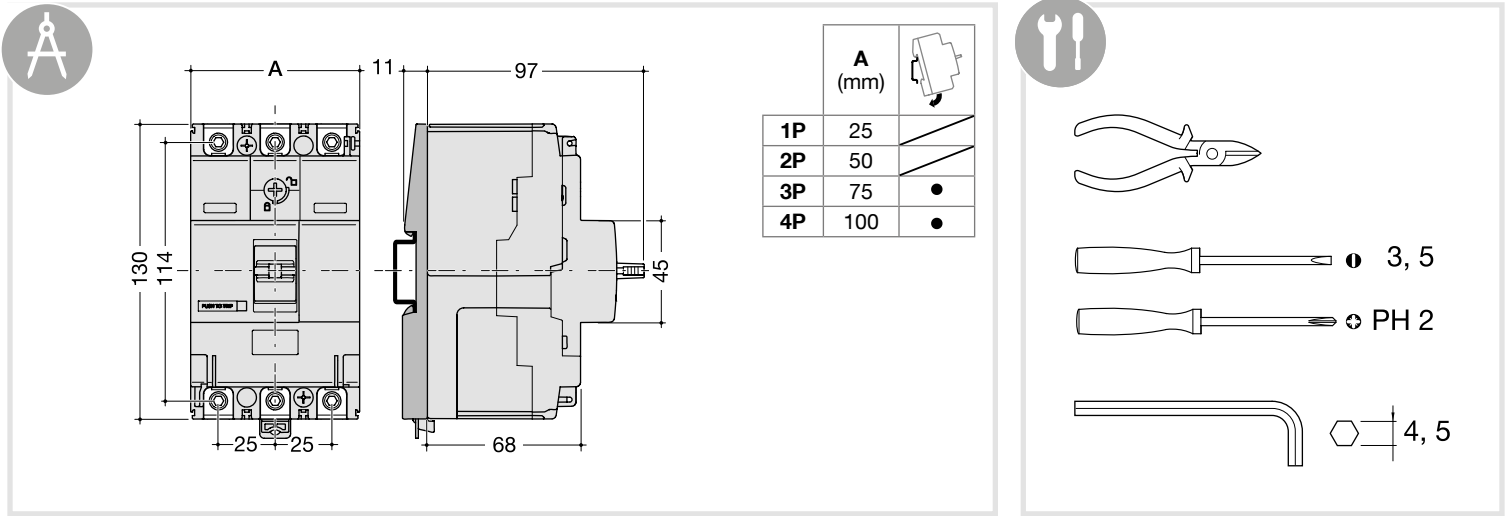
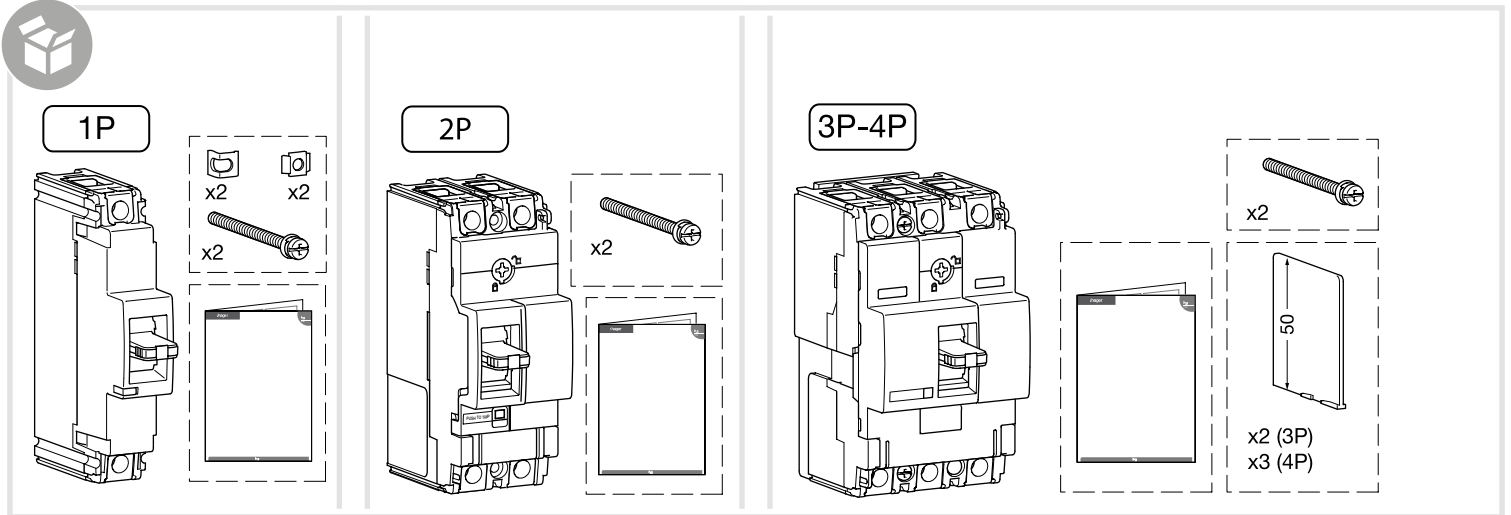


6LE001633Aa

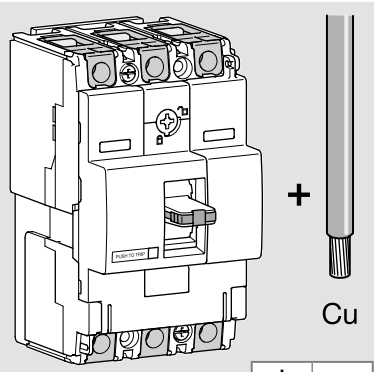
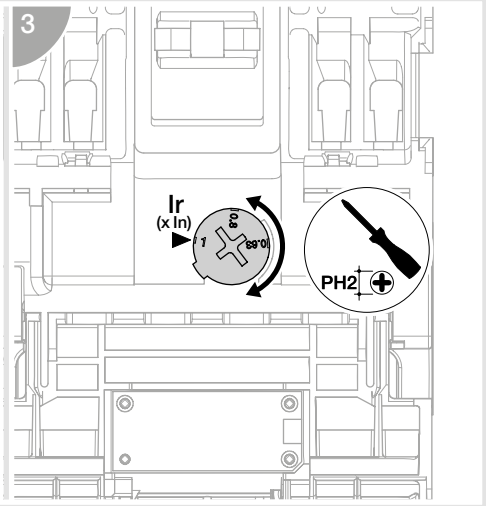
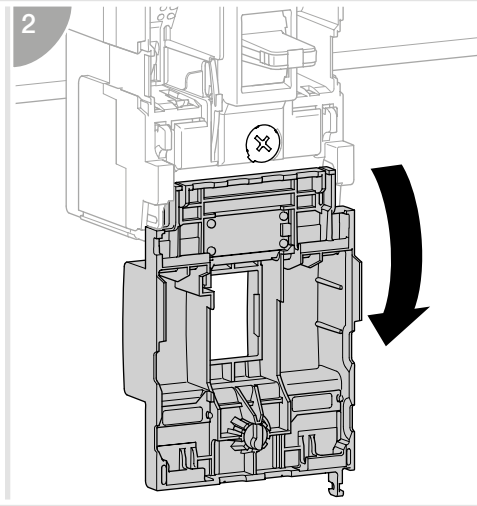
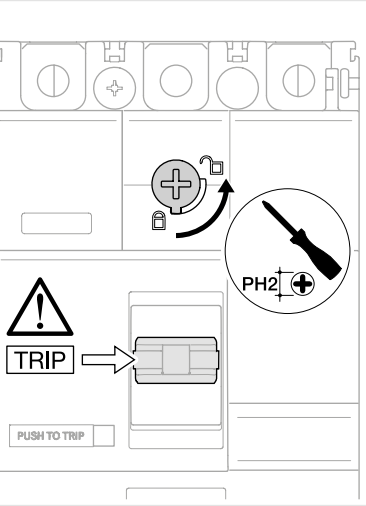
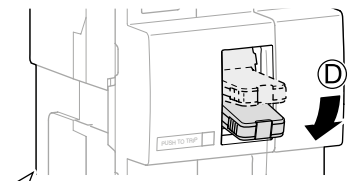
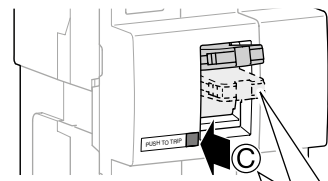
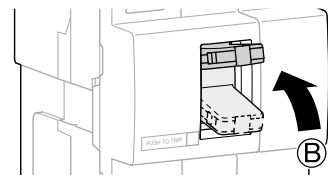
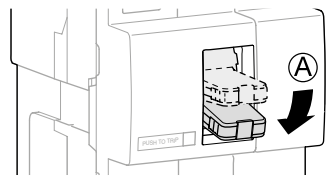
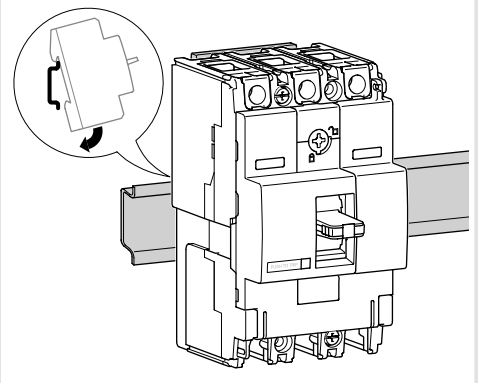
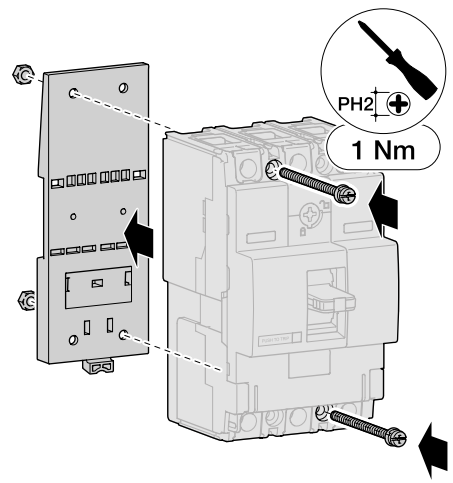
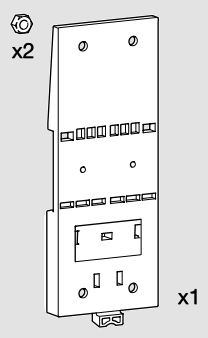
# h3

x160

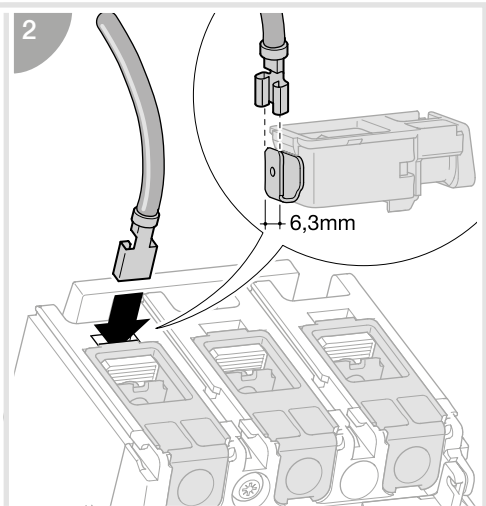
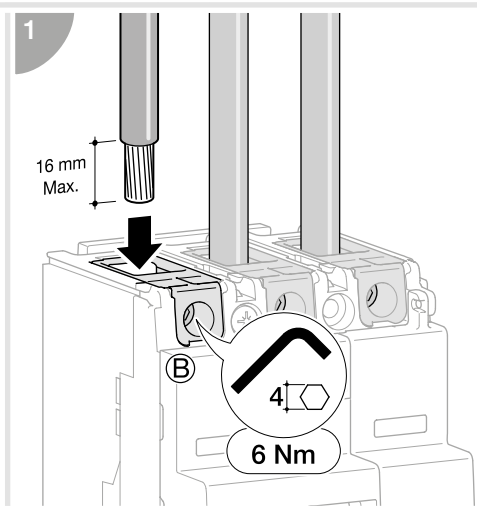




**HYA033H (3P - 4P)**



	min.	max.
	(mm <sup>2</sup> )	
	6	70
	6	95

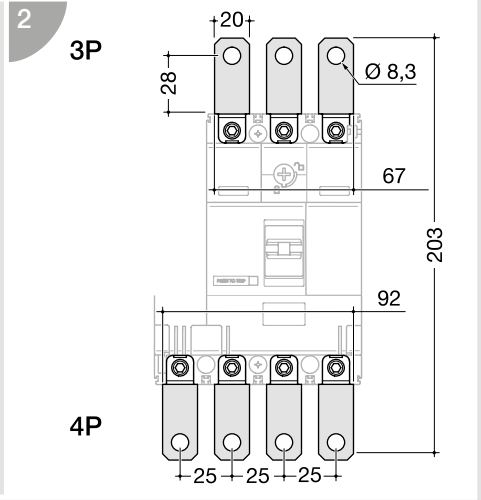
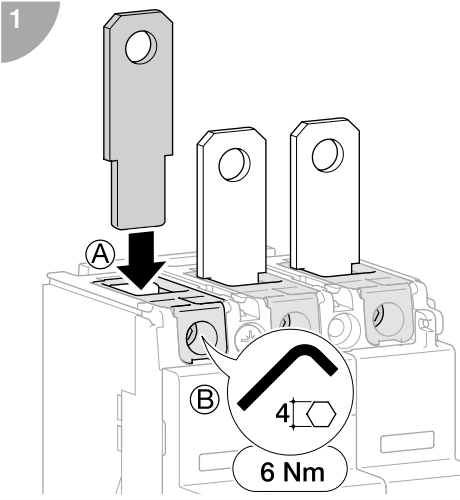




### HYA013H



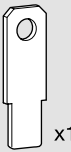
x3 (3P)  
x4 (4P)



### HYA014H (3P)



x2

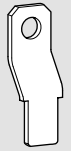


x1

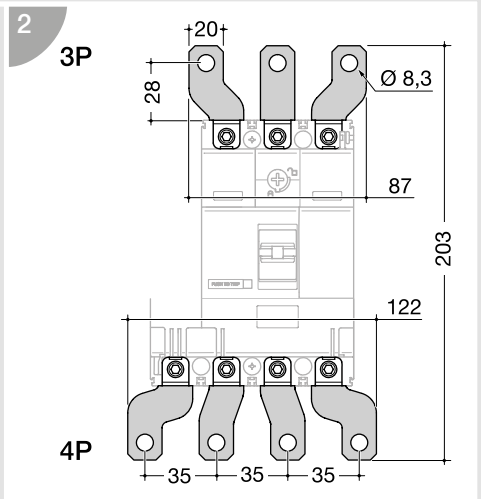
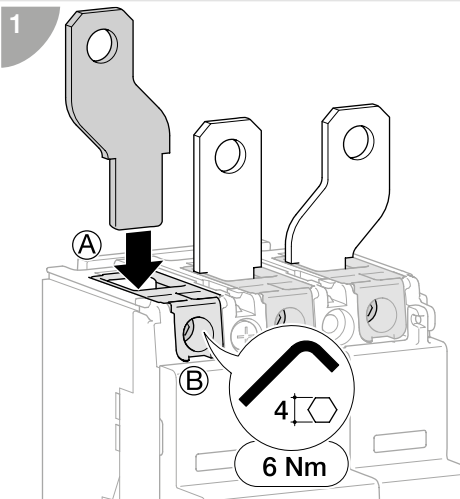
### HYA015H (4P)



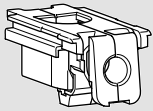
x2



x2



### HYA005H (3P) HYA006H (4P)



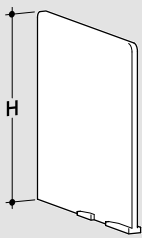
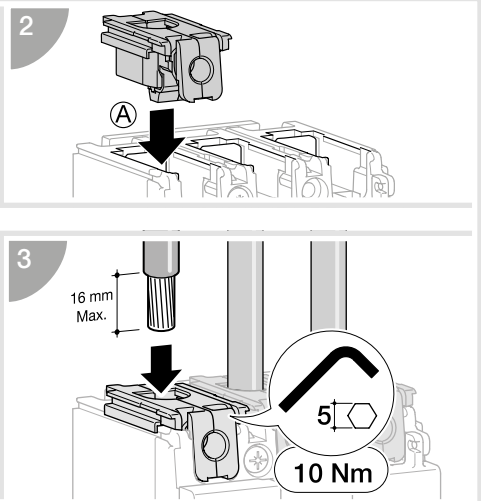
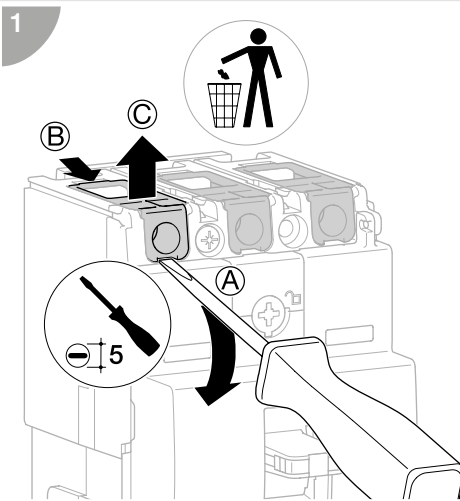
x3 (3P)  
x4 (4P)

+



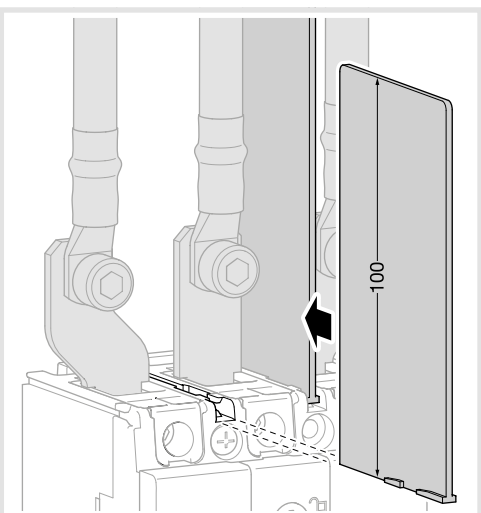
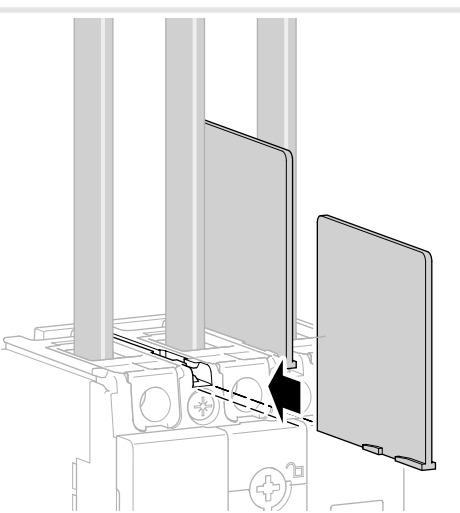
Al

	min.	max.
	35	70



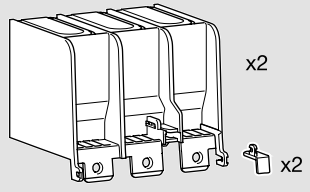
x3

	H (mm)	
3P/4P	50	100
	HYA019H	HYB019H

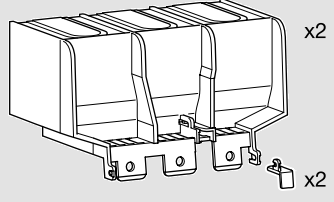




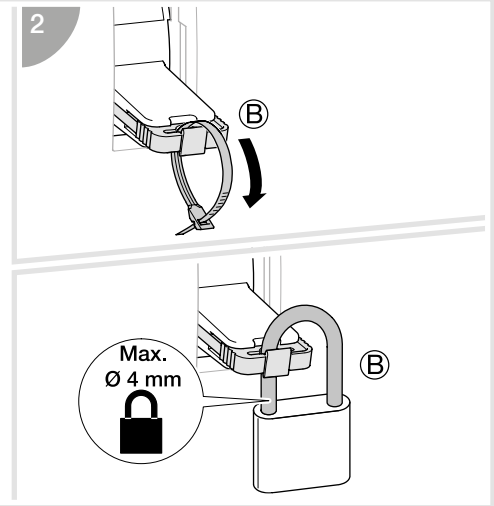
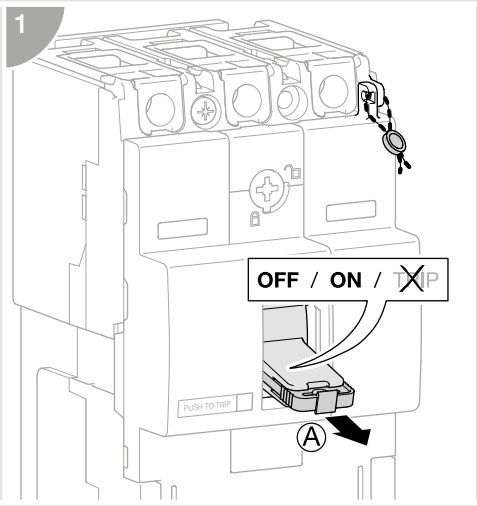
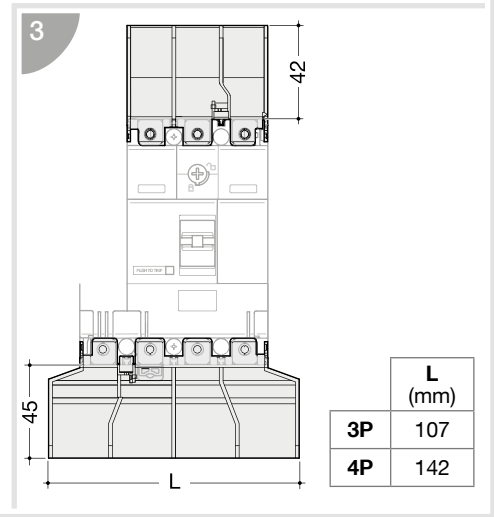
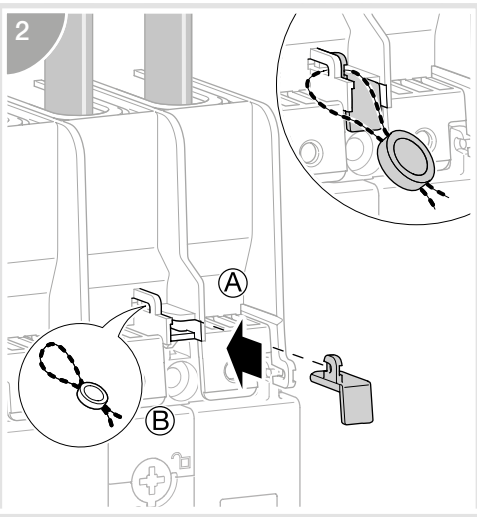
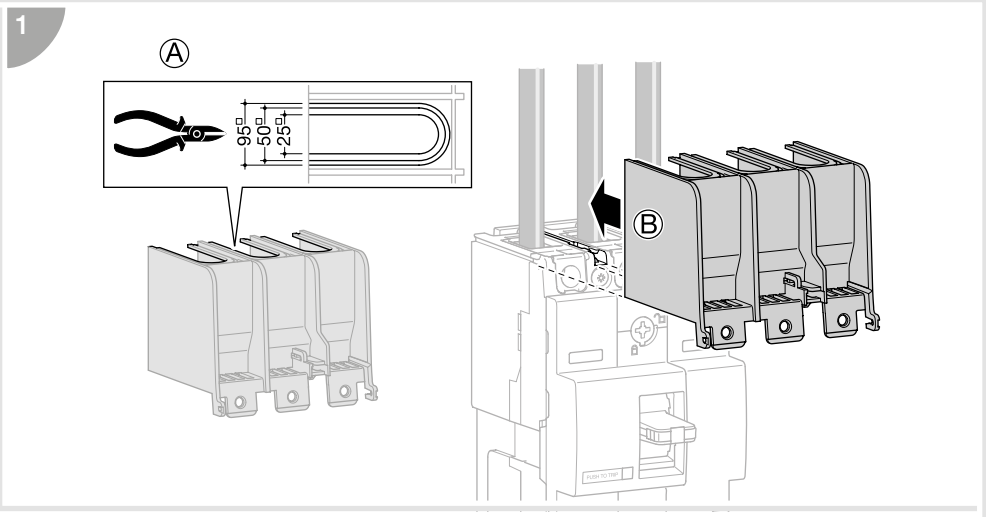
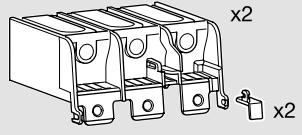
**HYA021H (3P)**  
**HYA022H (4P)**



**HYA023H (3P)**  
**HYA024H (4P)**



**HYA027H (3P)**  
**HYA028H (4P)**



**HXA039H**

