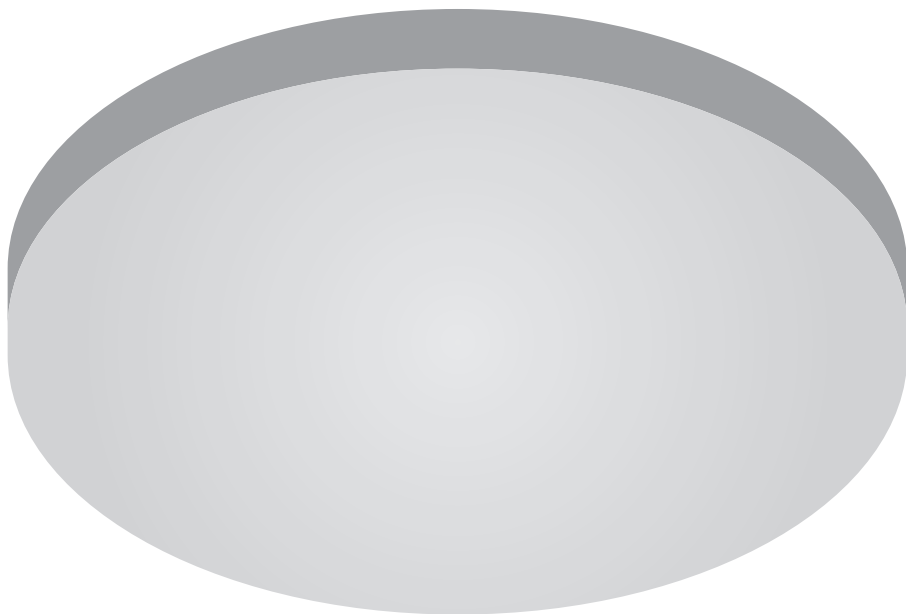





# Surface Compact IK10

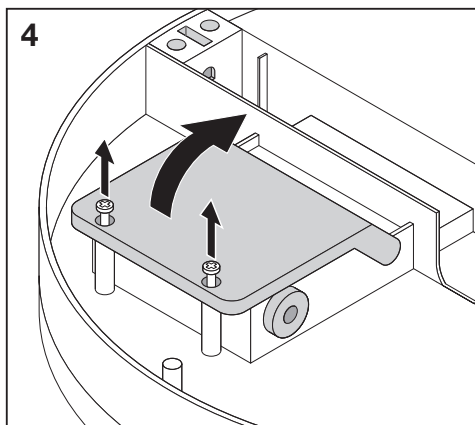
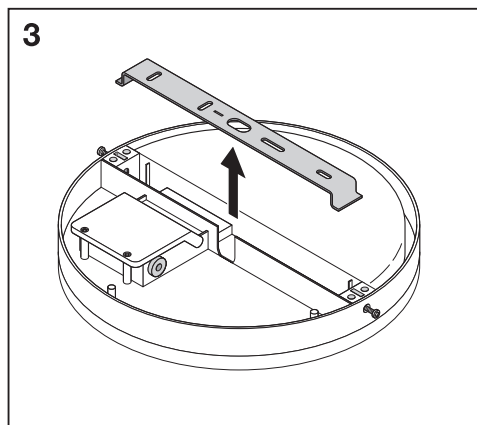
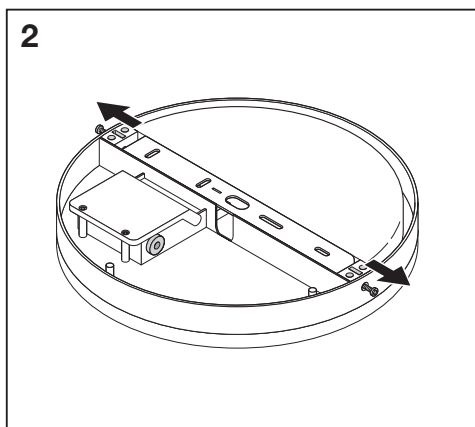
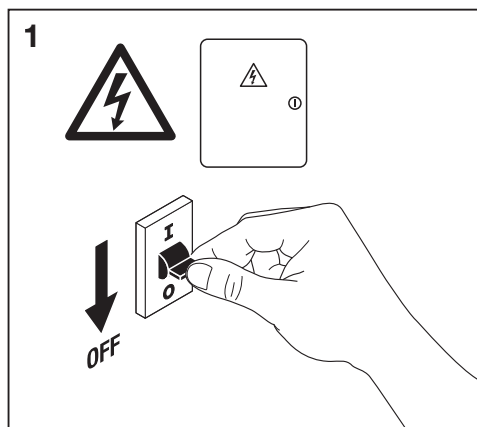
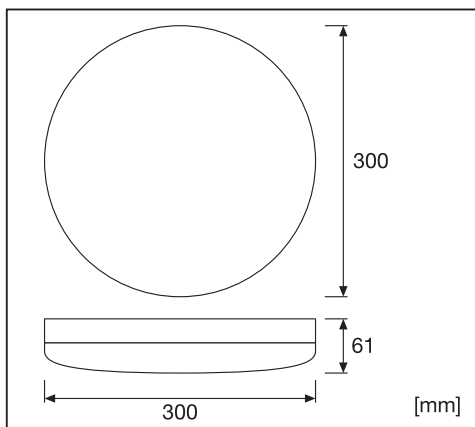
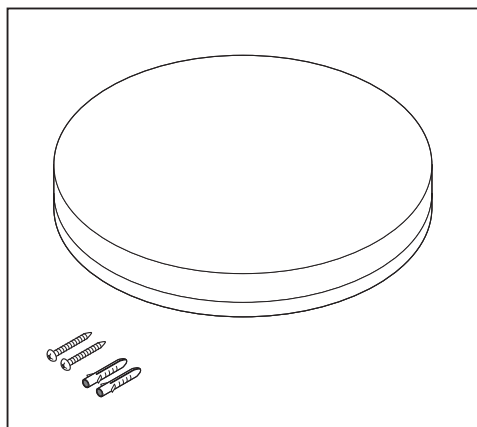


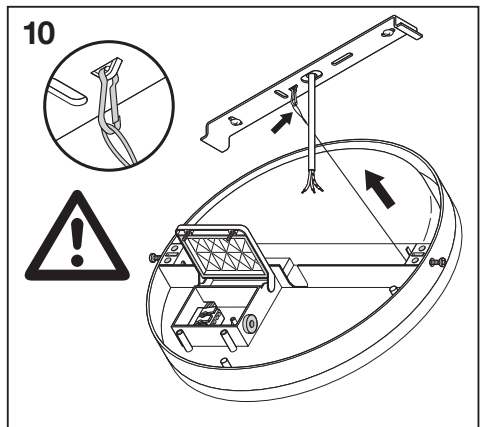
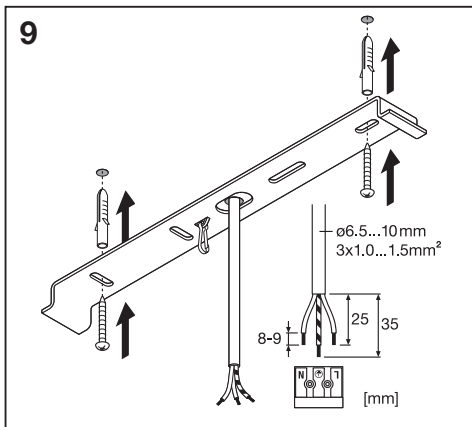
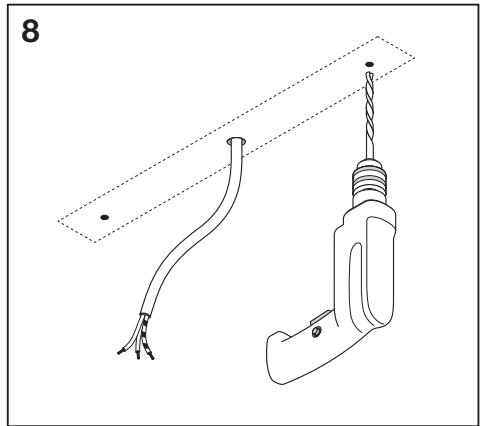
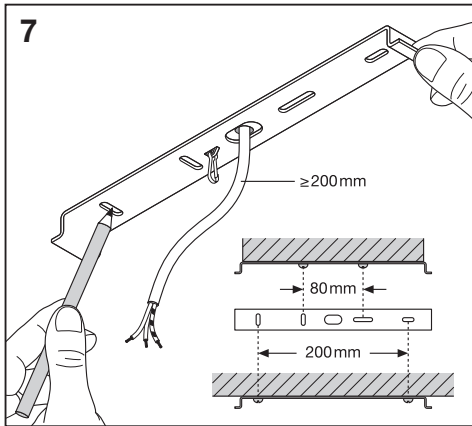
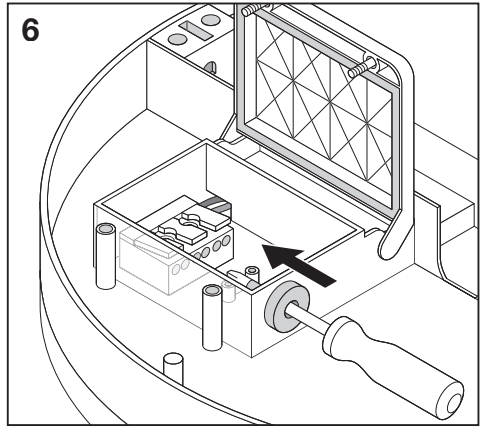
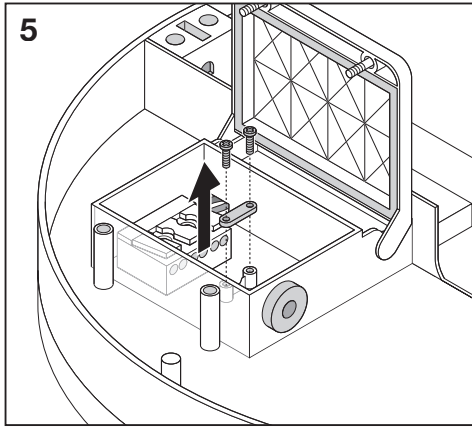
EAN	W	lm	lm/W	K	IP	IK	Ø x H		 (°C)	V <sub>AC</sub>	Hz	
4058075062207	24	1800	75	3000	65	10	300x61	120°	-20...+50	220-240	50/60	0.9 kg
4058075062221	24	1920	80	4000	65	10	300x61	120°	-20...+50	220-240	50/60	0.9 kg

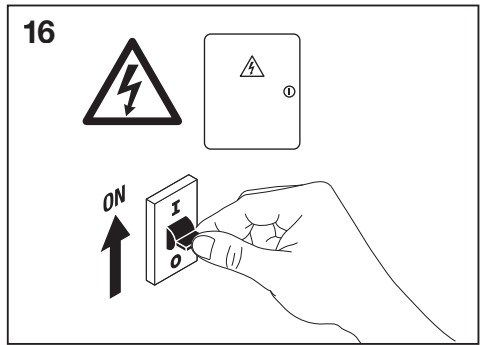
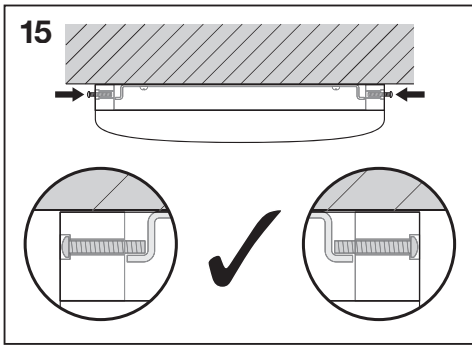
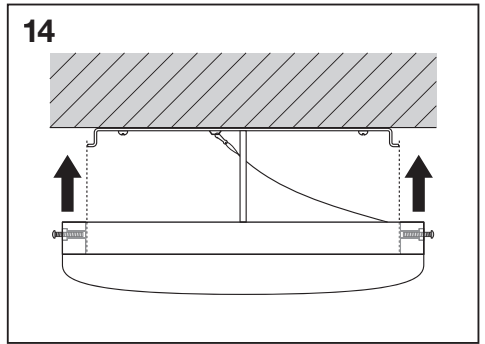
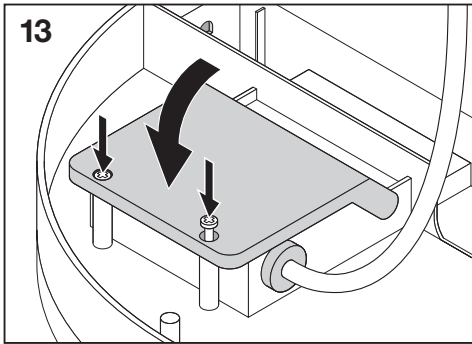
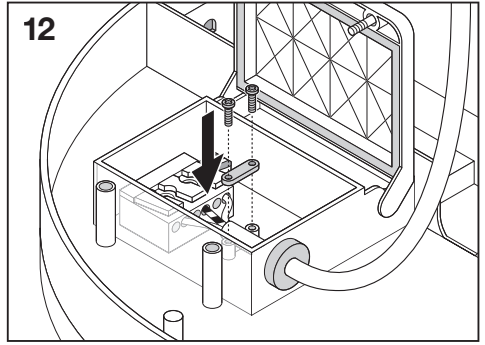
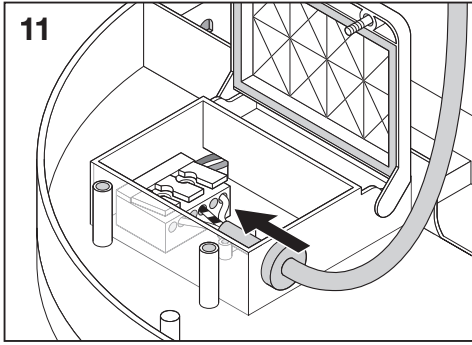


**LEDVANCE**

# Surface Compact IK10







[www.ledvance.com](http://www.ledvance.com)



Downlight



Spot



Linear



Panel

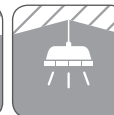


Surface



IP65

DampProof



HighBay



Floodlight



C10449057  
G11022211  
13.09.17

LEDVANCE GmbH  
Steinerne Furt 62  
86167 Augsburg  
Germany  
[www.ledvance.com](http://www.ledvance.com)