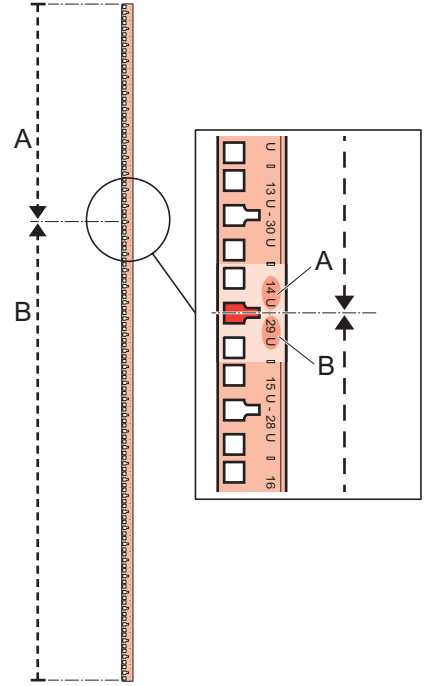
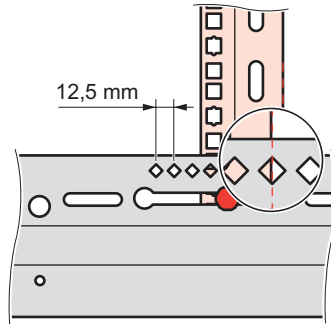
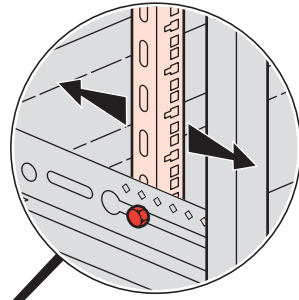
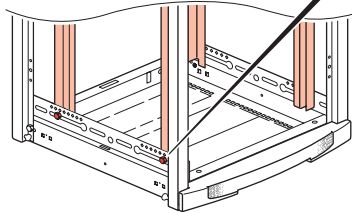
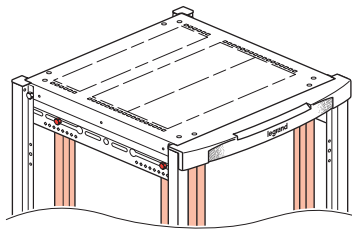
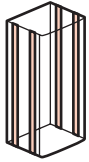
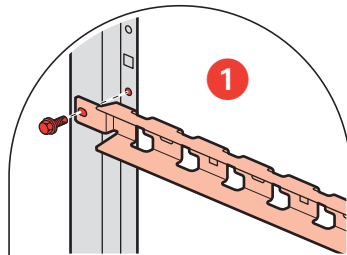
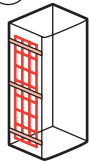


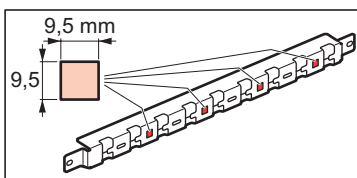
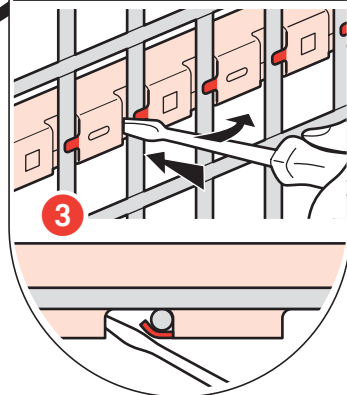
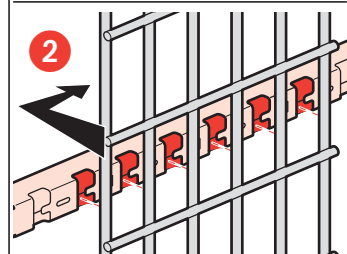
F



G



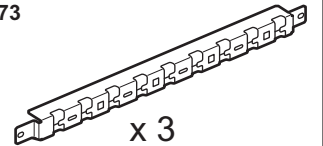
L/P = 600 - 0 464 72 / 4 466 72
 L/P = 800 - 0 464 73 / 4 466 73
 P = 1000 - 0 464 74



0 464 72/73/74
 4 466 72/73

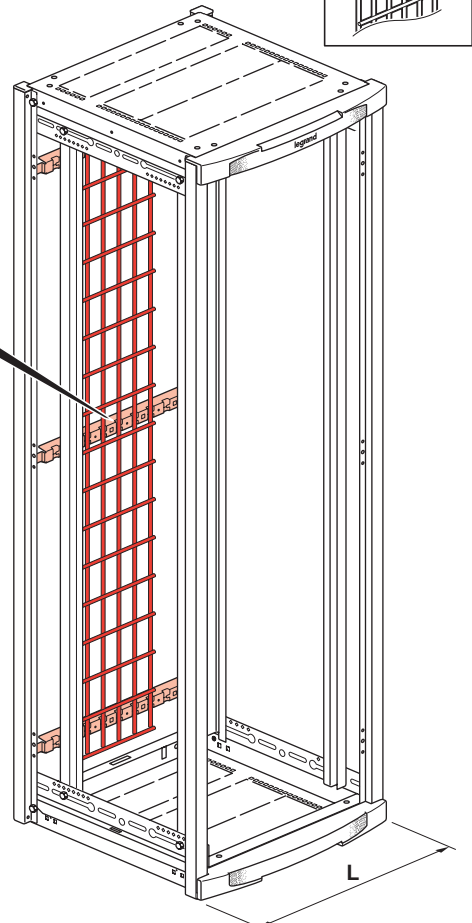
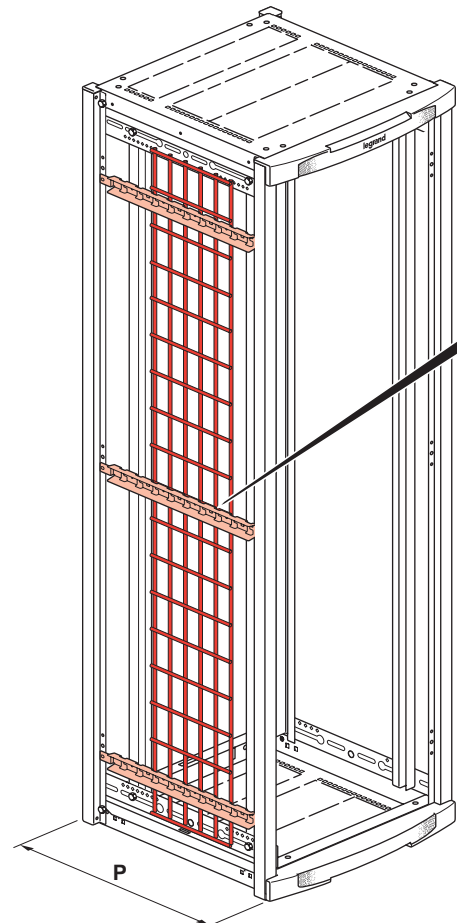
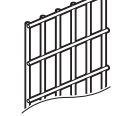


x 6



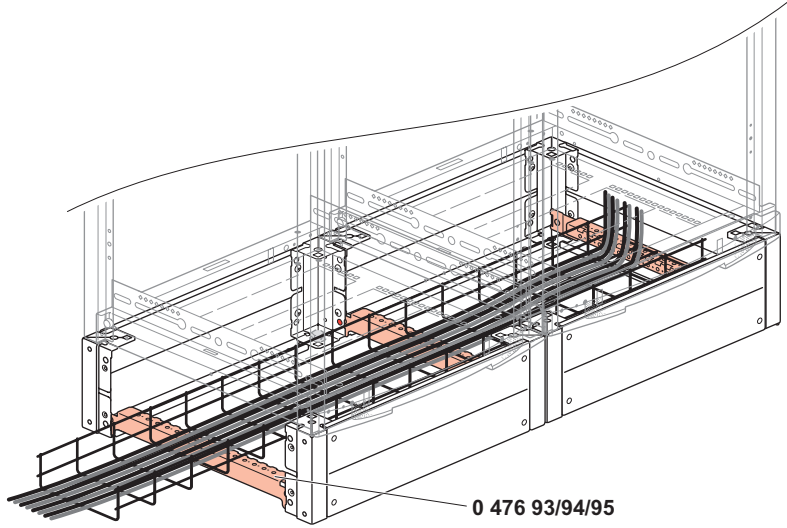
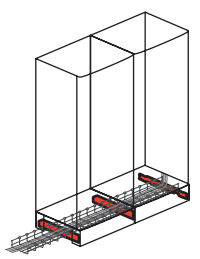
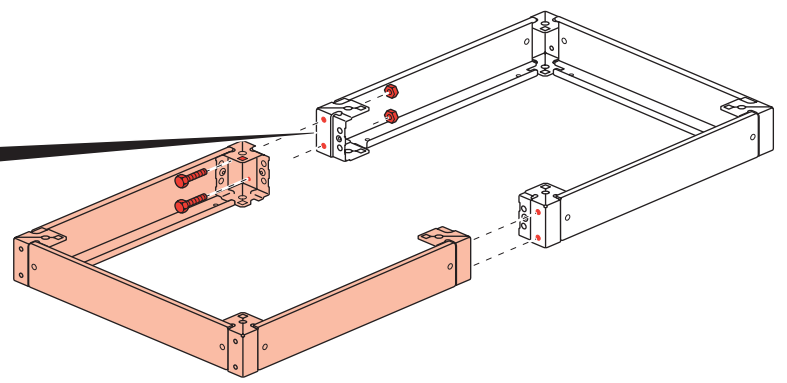
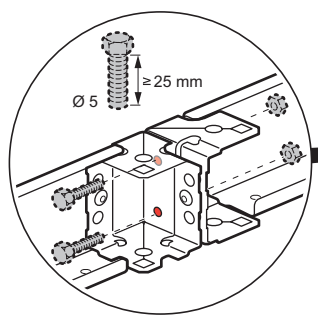
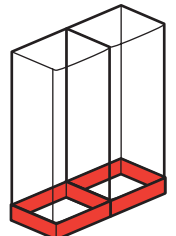
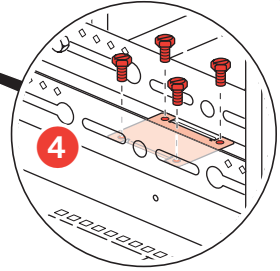
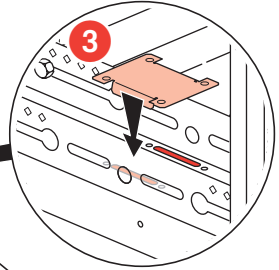
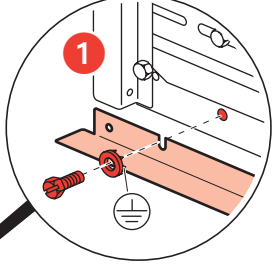
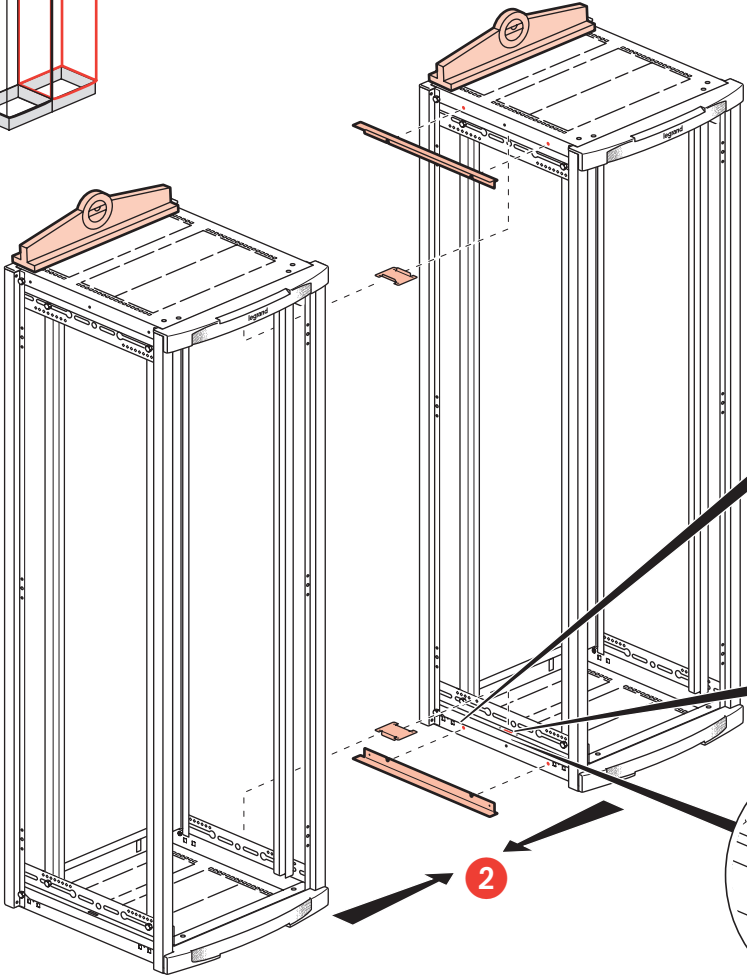
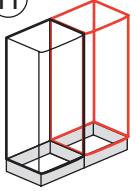
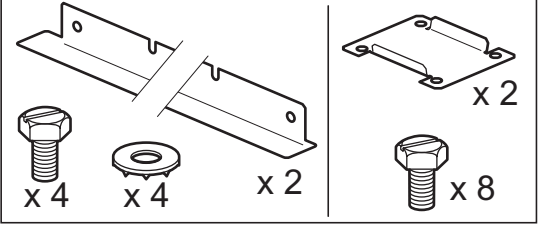
x 3

0 464 76/77
 4 466 77

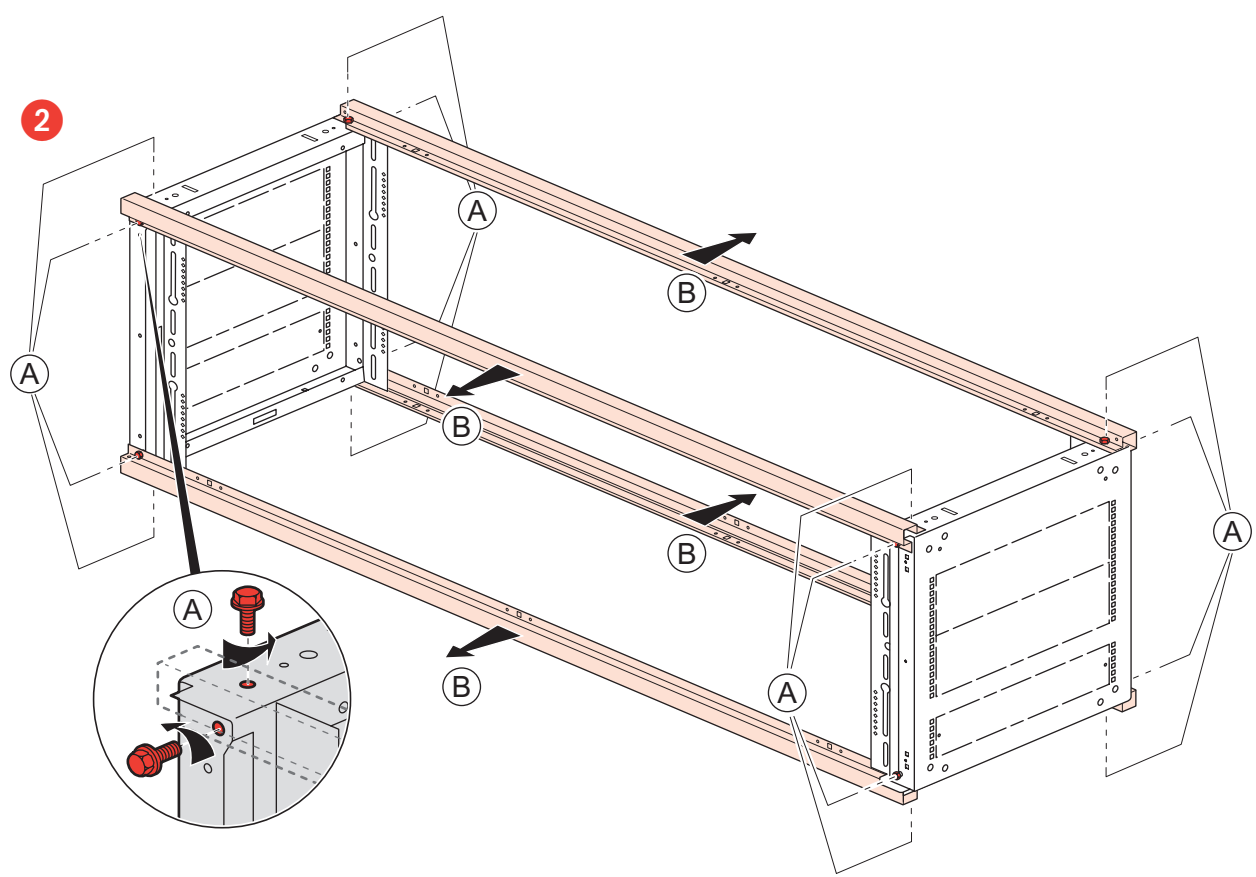
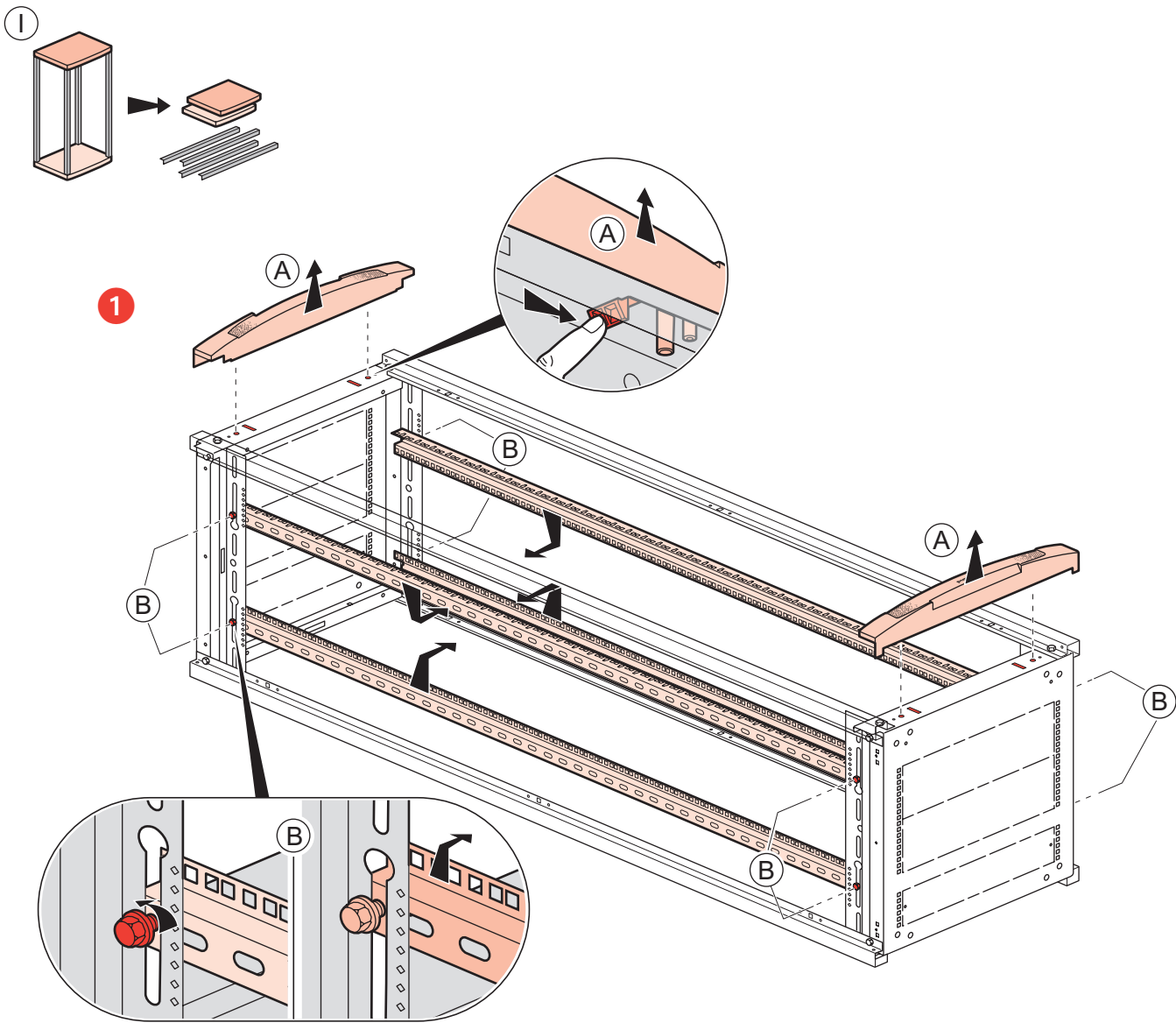


H

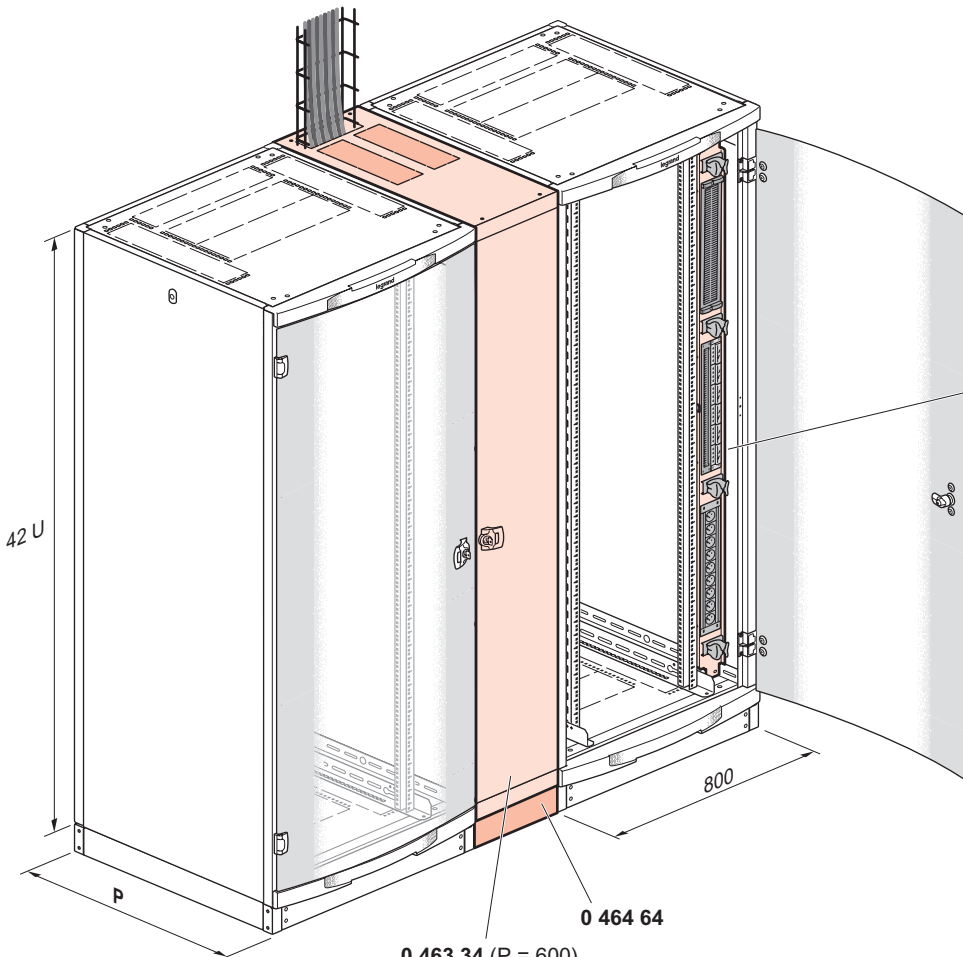
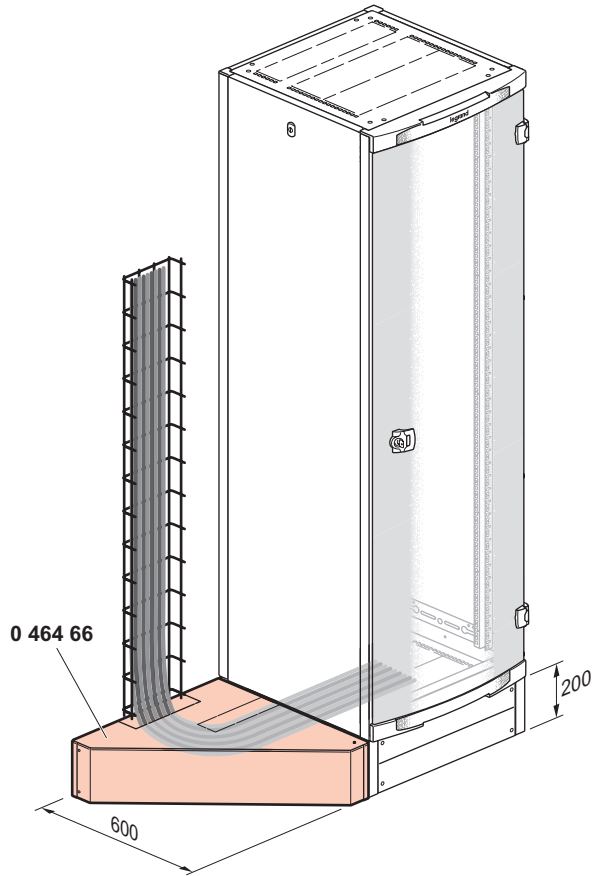
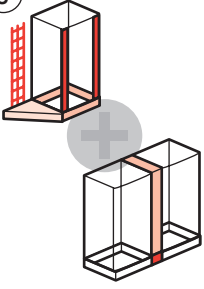
0 463 37/38/39
4 465 37/38



0 476 93/94/95



J



0 463 34 (P = 600)
0 463 35 (P = 800)

